

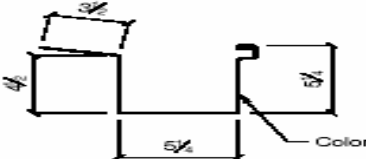
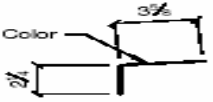
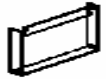
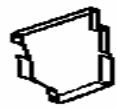


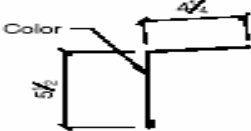

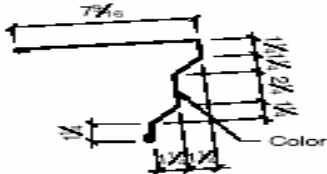
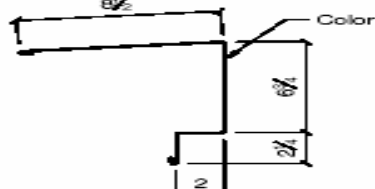
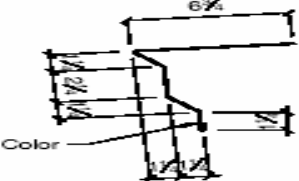
Metal Roofing and Siding Components

Typical Metal Building Trim

<p style="text-align: center;">SHADOW GUTTER</p> 	<table border="1" style="width: 100%; border-collapse: collapse;"> <thead> <tr style="background-color: #cccccc;"> <th style="text-align: center;">MAXIMUM LENGTH</th> <th style="text-align: center;">GAUGE</th> <th style="text-align: center;">GIRTH</th> <th style="text-align: center;">WT./FT.</th> </tr> </thead> <tbody> <tr> <td style="text-align: center;">20'-3</td> <td style="text-align: center;">26</td> <td style="text-align: center;">20½"</td> <td style="text-align: center;">1.4#</td> </tr> </tbody> </table>	MAXIMUM LENGTH	GAUGE	GIRTH	WT./FT.	20'-3	26	20½"	1.4#				
MAXIMUM LENGTH	GAUGE	GIRTH	WT./FT.										
20'-3	26	20½"	1.4#										
<p style="text-align: center;">GUTTER STRAP</p> 	<table border="1" style="width: 100%; border-collapse: collapse;"> <thead> <tr style="background-color: #cccccc;"> <th style="text-align: center;">LENGTH</th> <th style="text-align: center;">GAUGE</th> <th style="text-align: center;">GIRTH</th> <th style="text-align: center;">WT./EA.</th> </tr> </thead> <tbody> <tr> <td style="text-align: center;">0'-9</td> <td style="text-align: center;">26</td> <td style="text-align: center;">5⅝"</td> <td style="text-align: center;">0.2#</td> </tr> <tr> <td style="text-align: center;">1'-4</td> <td style="text-align: center;">26</td> <td style="text-align: center;">5⅝"</td> <td style="text-align: center;">0.4#</td> </tr> </tbody> </table> <p style="font-size: small;">Use with 100 Series Gutter.</p>	LENGTH	GAUGE	GIRTH	WT./EA.	0'-9	26	5⅝"	0.2#	1'-4	26	5⅝"	0.4#
LENGTH	GAUGE	GIRTH	WT./EA.										
0'-9	26	5⅝"	0.2#										
1'-4	26	5⅝"	0.4#										
<p style="text-align: center;">BOX GUTTER</p> 	<table border="1" style="width: 100%; border-collapse: collapse;"> <thead> <tr style="background-color: #cccccc;"> <th style="text-align: center;">MAXIMUM LENGTH</th> <th style="text-align: center;">GAUGE</th> <th style="text-align: center;">GIRTH</th> <th style="text-align: center;">WT./FT.</th> </tr> </thead> <tbody> <tr> <td style="text-align: center;">20'-3</td> <td style="text-align: center;">26</td> <td style="text-align: center;">20½"</td> <td style="text-align: center;">1.4#</td> </tr> </tbody> </table> <p style="font-size: small;">Use GS-201 Gutter Support Strip, 1" wide x 1'-0" long (26 Gauge). All colors, \$0.20 each.</p>	MAXIMUM LENGTH	GAUGE	GIRTH	WT./FT.	20'-3	26	20½"	1.4#				
MAXIMUM LENGTH	GAUGE	GIRTH	WT./FT.										
20'-3	26	20½"	1.4#										
<p style="text-align: center;">GUTTER COUNTER FLASHING</p> 	<table border="1" style="width: 100%; border-collapse: collapse;"> <thead> <tr style="background-color: #cccccc;"> <th style="text-align: center;">MAXIMUM LENGTH</th> <th style="text-align: center;">GAUGE</th> <th style="text-align: center;">GIRTH</th> <th style="text-align: center;">WT./FT.</th> </tr> </thead> <tbody> <tr> <td style="text-align: center;">GC-10 _</td> <td style="text-align: center;">10'-3</td> <td style="text-align: center;">26</td> <td style="text-align: center;">5⅝"</td> <td style="text-align: center;">0.4#</td> </tr> </tbody> </table> <p style="text-align: center; border: 1px solid black; border-radius: 50%; padding: 2px; display: inline-block;">Specify Roof Slope Here</p> <p style="font-size: small;">Recommended for use with Shadow Gutter.</p>	MAXIMUM LENGTH	GAUGE	GIRTH	WT./FT.	GC-10 _	10'-3	26	5⅝"	0.4#			
MAXIMUM LENGTH	GAUGE	GIRTH	WT./FT.										
GC-10 _	10'-3	26	5⅝"	0.4#									
<p style="text-align: center;">GUTTER END CAPS</p> <div style="display: flex; justify-content: space-around; align-items: center;"> <div style="text-align: center;">  <p>BEC (Box)</p> </div> <div style="text-align: center;">  <p>SECL _ (Shadow)</p> </div> </div>	<table border="1" style="width: 100%; border-collapse: collapse;"> <thead> <tr style="background-color: #cccccc;"> <th style="text-align: center;">GAUGE</th> <th style="text-align: center;">WT./EA.</th> </tr> </thead> <tbody> <tr> <td style="text-align: center;">26</td> <td style="text-align: center;">0.2#</td> </tr> <tr> <td style="text-align: center;">BEC (Box)</td> <td style="text-align: center;">0.2#</td> </tr> <tr> <td style="text-align: center;">SECL _</td> <td style="text-align: center;">0.2#</td> </tr> </tbody> </table> <p style="text-align: center; border: 1px solid black; border-radius: 50%; padding: 2px; display: inline-block;">Specify Roof Slope Here</p>	GAUGE	WT./EA.	26	0.2#	BEC (Box)	0.2#	SECL _	0.2#				
GAUGE	WT./EA.												
26	0.2#												
BEC (Box)	0.2#												
SECL _	0.2#												

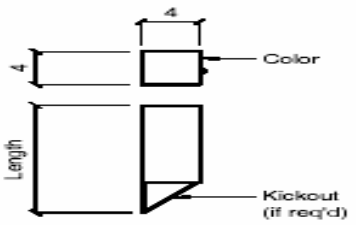
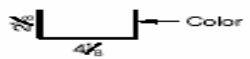
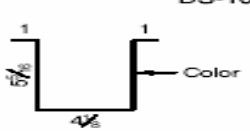

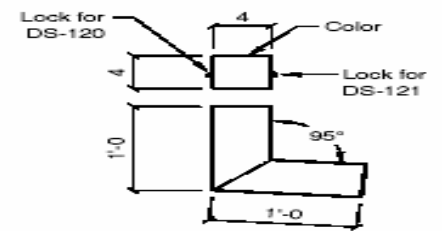
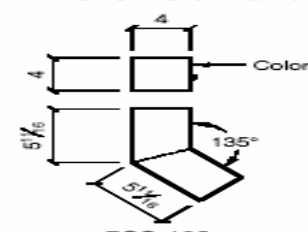

Metal Roofing and Siding Components

Typical Metal Building Trim

<p style="text-align: center;">SIMPLE EAVE TRIM</p> 	<table border="1" style="width: 100%; border-collapse: collapse;"> <thead> <tr style="background-color: #cccccc;"> <th style="text-align: center;">MAXIMUM LENGTH</th> <th style="text-align: center;">GAUGE</th> <th style="text-align: center;">GIRTH</th> <th style="text-align: center;">WT./FT.</th> </tr> </thead> <tbody> <tr> <td style="text-align: center;">20'-3</td> <td style="text-align: center;">26</td> <td style="text-align: center;">10 1/4"</td> <td style="text-align: center;">0.8#</td> </tr> </tbody> </table>	MAXIMUM LENGTH	GAUGE	GIRTH	WT./FT.	20'-3	26	10 1/4"	0.8#
MAXIMUM LENGTH	GAUGE	GIRTH	WT./FT.						
20'-3	26	10 1/4"	0.8#						
<p style="text-align: center;">EAVE DRIP TRIM</p> 	<table border="1" style="width: 100%; border-collapse: collapse;"> <thead> <tr style="background-color: #cccccc;"> <th style="text-align: center;">MAXIMUM LENGTH</th> <th style="text-align: center;">GAUGE</th> <th style="text-align: center;">GIRTH</th> <th style="text-align: center;">WT./FT.</th> </tr> </thead> <tbody> <tr> <td style="text-align: center;">20'-3</td> <td style="text-align: center;">26</td> <td style="text-align: center;">9 1/4"</td> <td style="text-align: center;">0.6#</td> </tr> </tbody> </table>	MAXIMUM LENGTH	GAUGE	GIRTH	WT./FT.	20'-3	26	9 1/4"	0.6#
MAXIMUM LENGTH	GAUGE	GIRTH	WT./FT.						
20'-3	26	9 1/4"	0.6#						
<p style="text-align: center;">HIGH SIDE SHADOW EAVE TRIM</p> 	<table border="1" style="width: 100%; border-collapse: collapse;"> <thead> <tr style="background-color: #cccccc;"> <th style="text-align: center;">MAXIMUM LENGTH</th> <th style="text-align: center;">GAUGE</th> <th style="text-align: center;">GIRTH</th> <th style="text-align: center;">WT./FT.</th> </tr> </thead> <tbody> <tr> <td style="text-align: center;">20'-3</td> <td style="text-align: center;">26</td> <td style="text-align: center;">16 13/16"</td> <td style="text-align: center;">1.1#</td> </tr> </tbody> </table>	MAXIMUM LENGTH	GAUGE	GIRTH	WT./FT.	20'-3	26	16 13/16"	1.1#
MAXIMUM LENGTH	GAUGE	GIRTH	WT./FT.						
20'-3	26	16 13/16"	1.1#						
<p style="text-align: center;">HIGH SIDE BOX EAVE TRIM</p> 	<table border="1" style="width: 100%; border-collapse: collapse;"> <thead> <tr style="background-color: #cccccc;"> <th style="text-align: center;">MAXIMUM LENGTH</th> <th style="text-align: center;">GAUGE</th> <th style="text-align: center;">GIRTH</th> <th style="text-align: center;">WT./FT.</th> </tr> </thead> <tbody> <tr> <td style="text-align: center;">20'-3</td> <td style="text-align: center;">26</td> <td style="text-align: center;">20 1/2"</td> <td style="text-align: center;">1.4#</td> </tr> </tbody> </table>	MAXIMUM LENGTH	GAUGE	GIRTH	WT./FT.	20'-3	26	20 1/2"	1.4#
MAXIMUM LENGTH	GAUGE	GIRTH	WT./FT.						
20'-3	26	20 1/2"	1.4#						
<p style="text-align: center;">LOW SIDE SHADOW EAVE TRIM</p> 	<table border="1" style="width: 100%; border-collapse: collapse;"> <thead> <tr style="background-color: #cccccc;"> <th style="text-align: center;">MAXIMUM LENGTH</th> <th style="text-align: center;">GAUGE</th> <th style="text-align: center;">GIRTH</th> <th style="text-align: center;">WT./FT.</th> </tr> </thead> <tbody> <tr> <td style="text-align: center;">20'-3</td> <td style="text-align: center;">26</td> <td style="text-align: center;">14 1/4"</td> <td style="text-align: center;">1.0#</td> </tr> </tbody> </table>	MAXIMUM LENGTH	GAUGE	GIRTH	WT./FT.	20'-3	26	14 1/4"	1.0#
MAXIMUM LENGTH	GAUGE	GIRTH	WT./FT.						
20'-3	26	14 1/4"	1.0#						

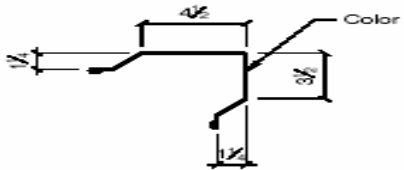
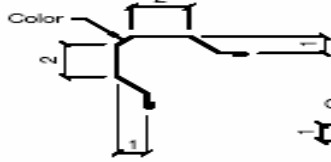
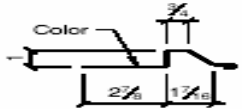
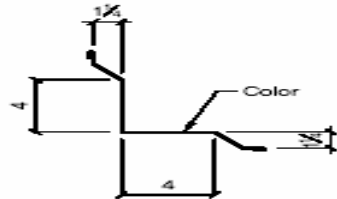
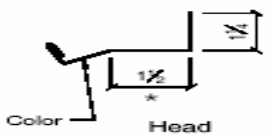

Metal Roofing and Siding Components

Typical Metal Building Trim

DOWNSPOUT	MAXIMUM LENGTH	GAUGE	GIRTH	WT./FT.	
	20'-3	26	16 ¹³ / ₁₆ "	1.1#	
Specify with or without kickout					
DOWNSPOUT STRAPS			GAUGE	WT./EA.	
 <p style="text-align: center;">DS-105</p>  <p style="text-align: center;">DS-103</p>  <p style="text-align: center;">DS-202</p>			26	0.2#	
			26	0.1#	
			26	0.1#	
DOWNSPOUT ELBOW			GAUGE	GIRTH	WT./EA.
			26	16 ¹³ / ₁₆ "	2.0#
			26	16 ¹³ / ₁₆ "	2.0#
PIG SPOUT and SCUPPER			GAUGE	GIRTH	WT./EA.
 <p style="text-align: center;">PSS-102</p>  <p style="text-align: center;">RR-101</p>			26	16 ¹³ / ₁₆ "	0.9#
			26		0.2#

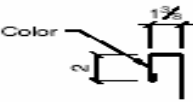
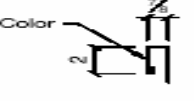
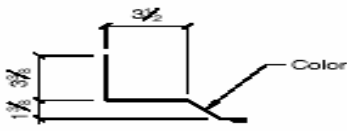
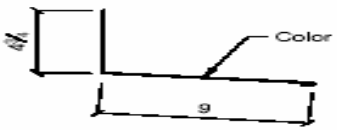
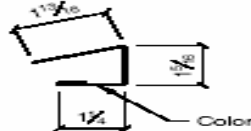
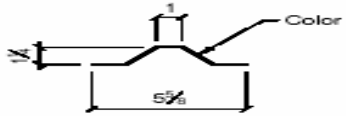
Metal Roofing and Siding Components

Typical Metal Building Trim

OUTSIDE CORNER TRIM	MAXIMUM LENGTH	GAUGE	GIRTH	WT./FT.
 <p>CT-102 shown above</p>	20'-3	26	14 1/4"	1.0#
(Can be used for both Super Span or Low Rib panels)	20'-3	26	12 7/8"	0.8#
(Low Rib panels only)				
MONARCH OUTSIDE CORNER TRIM	MAXIMUM LENGTH	GAUGE	GIRTH	WT./FT.
 <p>CT-302</p>  <p>MT-815</p>	20'-3	26	10 5/16"	0.6#
(One piece required at each corner)	20'-3	26	7 1/8"	0.5#
(2 pieces required at each corner)				
INSIDE CORNER TRIM	MAXIMUM LENGTH	GAUGE	GIRTH	WT./FT.
	20'-3	26	14 1/4"	1.0#
JAMB and HEAD TRIM (Whirlwind Building Systems Type)	MAXIMUM LENGTH	GAUGE	GIRTH	WT./FT.
 <p>Head</p>  <p>Jamb</p> <p>* 1" on HT-202 & JT-202</p>	20'-3	26	4 7/8"	0.3#
(Can be used for Super Span, Low Rib, or Monarch panels)	20'-3	26	4 7/8"	0.3#
(Low Rib panels only)	20'-3	26	4 7/8"	0.3#
(Can be used for Super Span, Low Rib, or Monarch panels)	20'-3	26	4 7/8"	0.3#
(Low Rib panels only)				

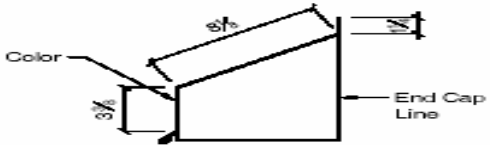
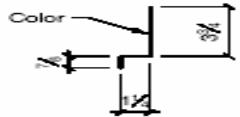



Metal Roofing and Siding Components

Typical Metal Building Trim

CAP TRIM		LENGTH	GAUGE	GIRTH	WT./FT.
 <p>MT-113</p>	 <p>MT-212</p>	20'-3	26	7 1/8"	0.5#
		20'-3	26	5 7/8"	0.4#
TRANSITION TRIM		MAXIMUM LENGTH	GAUGE	GIRTH	WT./FT.
		20'-3	26	10 5/8"	0.7#
TRANSITION TRIM		MAXIMUM LENGTH	GAUGE	GIRTH	WT./FT.
		20'-3	26	14 1/4"	1.0#
SOFFIT TRIM		LENGTH	GAUGE	GIRTH	WT./EA.
		10'-3	26	4 7/8"	3.1#
UL580 CLASS 90 SKYLIGHT REINFORCEMENT TRIM		LENGTH	GAUGE	GIRTH	WT./EA.
		10'-6	26	7"	4.5#
<p>Also used for insulation support around skylights.</p>					

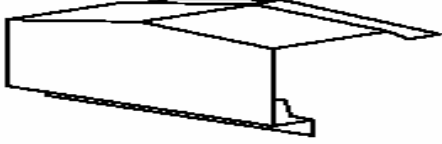
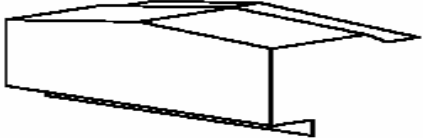


Metal Roofing and Siding Components

Typical Metal Building Trim

<p style="text-align: center;">SLIDE DOOR HOOD TRIM</p> 	<table border="1" style="width: 100%; border-collapse: collapse;"> <thead> <tr style="background-color: #cccccc;"> <th style="text-align: center;">MAXIMUM LENGTH</th> <th style="text-align: center;">GAUGE</th> <th style="text-align: center;">GIRTH</th> <th style="text-align: center;">WT./FT.</th> </tr> </thead> <tbody> <tr> <td style="text-align: center;">20'-3</td> <td style="text-align: center;">26</td> <td style="text-align: center;">14$\frac{1}{4}$"</td> <td style="text-align: center;">1.0#</td> </tr> </tbody> </table> <p style="font-size: small;">End caps for SD-102 trim. All colors, \$4.75 each.</p>	MAXIMUM LENGTH	GAUGE	GIRTH	WT./FT.	20'-3	26	14 $\frac{1}{4}$ "	1.0#				
MAXIMUM LENGTH	GAUGE	GIRTH	WT./FT.										
20'-3	26	14 $\frac{1}{4}$ "	1.0#										
<p style="text-align: center;">SLIDE DOOR HOOD FLASHING</p> 	<table border="1" style="width: 100%; border-collapse: collapse;"> <thead> <tr style="background-color: #cccccc;"> <th style="text-align: center;">MAXIMUM LENGTH</th> <th style="text-align: center;">GAUGE</th> <th style="text-align: center;">GIRTH</th> <th style="text-align: center;">WT./FT.</th> </tr> </thead> <tbody> <tr> <td style="text-align: center;">20'-3</td> <td style="text-align: center;">26</td> <td style="text-align: center;">5$\frac{7}{8}$"</td> <td style="text-align: center;">0.4#</td> </tr> </tbody> </table>	MAXIMUM LENGTH	GAUGE	GIRTH	WT./FT.	20'-3	26	5 $\frac{7}{8}$ "	0.4#				
MAXIMUM LENGTH	GAUGE	GIRTH	WT./FT.										
20'-3	26	5 $\frac{7}{8}$ "	0.4#										
<p style="text-align: center;">2" x 2" ANGLE TRIM</p> 	<table border="1" style="width: 100%; border-collapse: collapse;"> <thead> <tr style="background-color: #cccccc;"> <th style="text-align: center;">MAXIMUM LENGTH</th> <th style="text-align: center;">GAUGE</th> <th style="text-align: center;">GIRTH</th> <th style="text-align: center;">WT./FT.</th> </tr> </thead> <tbody> <tr> <td style="text-align: center;">20'-3</td> <td style="text-align: center;">26</td> <td style="text-align: center;">5"</td> <td style="text-align: center;">0.3#</td> </tr> <tr> <td style="text-align: center;">20'-3</td> <td style="text-align: center;">26</td> <td style="text-align: center;">5"</td> <td style="text-align: center;">0.3#</td> </tr> </tbody> </table>	MAXIMUM LENGTH	GAUGE	GIRTH	WT./FT.	20'-3	26	5"	0.3#	20'-3	26	5"	0.3#
MAXIMUM LENGTH	GAUGE	GIRTH	WT./FT.										
20'-3	26	5"	0.3#										
20'-3	26	5"	0.3#										
<p style="text-align: center;">3" x 3" ANGLE TRIM</p> 	<table border="1" style="width: 100%; border-collapse: collapse;"> <thead> <tr style="background-color: #cccccc;"> <th style="text-align: center;">MAXIMUM LENGTH</th> <th style="text-align: center;">GAUGE</th> <th style="text-align: center;">GIRTH</th> <th style="text-align: center;">WT./FT.</th> </tr> </thead> <tbody> <tr> <td style="text-align: center;">20'-3</td> <td style="text-align: center;">26</td> <td style="text-align: center;">7"</td> <td style="text-align: center;">0.5#</td> </tr> <tr> <td style="text-align: center;">20'-3</td> <td style="text-align: center;">26</td> <td style="text-align: center;">7"</td> <td style="text-align: center;">0.5#</td> </tr> </tbody> </table>	MAXIMUM LENGTH	GAUGE	GIRTH	WT./FT.	20'-3	26	7"	0.5#	20'-3	26	7"	0.5#
MAXIMUM LENGTH	GAUGE	GIRTH	WT./FT.										
20'-3	26	7"	0.5#										
20'-3	26	7"	0.5#										
<p style="text-align: center;">4" x 4" ANGLE TRIM</p> 	<table border="1" style="width: 100%; border-collapse: collapse;"> <thead> <tr style="background-color: #cccccc;"> <th style="text-align: center;">MAXIMUM LENGTH</th> <th style="text-align: center;">GAUGE</th> <th style="text-align: center;">GIRTH</th> <th style="text-align: center;">WT./FT.</th> </tr> </thead> <tbody> <tr> <td style="text-align: center;">20'-3</td> <td style="text-align: center;">26</td> <td style="text-align: center;">9"</td> <td style="text-align: center;">0.6#</td> </tr> <tr> <td style="text-align: center;">20'-3</td> <td style="text-align: center;">26</td> <td style="text-align: center;">9"</td> <td style="text-align: center;">0.6#</td> </tr> </tbody> </table>	MAXIMUM LENGTH	GAUGE	GIRTH	WT./FT.	20'-3	26	9"	0.6#	20'-3	26	9"	0.6#
MAXIMUM LENGTH	GAUGE	GIRTH	WT./FT.										
20'-3	26	9"	0.6#										
20'-3	26	9"	0.6#										


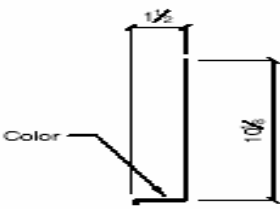
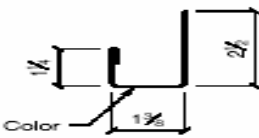
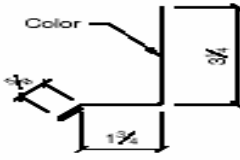
Metal Roofing and Siding Components

Typical Metal Building Trim

<p>SHADOW PEAK BOX</p> 	<table border="1" style="width: 100%; border-collapse: collapse;"> <thead> <tr style="background-color: #cccccc;"> <th style="text-align: center;">GAUGE</th> <th style="text-align: center;">WT./EA.</th> </tr> </thead> <tbody> <tr> <td style="text-align: center;">26</td> <td style="text-align: center;">1.6#</td> </tr> </tbody> </table>	GAUGE	WT./EA.	26	1.6#				
GAUGE	WT./EA.								
26	1.6#								
<p><small>If logo is desired on Peak Box, please specify.</small></p>									
<p>BOX TRIM PEAK BOX</p> 	<table border="1" style="width: 100%; border-collapse: collapse;"> <thead> <tr style="background-color: #cccccc;"> <th style="text-align: center;">GAUGE</th> <th style="text-align: center;">WT./EA.</th> </tr> </thead> <tbody> <tr> <td style="text-align: center;">26</td> <td style="text-align: center;">1.6#</td> </tr> </tbody> </table>	GAUGE	WT./EA.	26	1.6#				
GAUGE	WT./EA.								
26	1.6#								
<p><small>If logo is desired on Peak Box, please specify.</small></p>									
<p>HIP TRIM</p> 	<table border="1" style="width: 100%; border-collapse: collapse;"> <thead> <tr style="background-color: #cccccc;"> <th style="text-align: center;">MAXIMUM LENGTH</th> <th style="text-align: center;">GAUGE</th> <th style="text-align: center;">GIRTH</th> <th style="text-align: center;">WT./FT.</th> </tr> </thead> <tbody> <tr> <td style="text-align: center;">20'-3</td> <td style="text-align: center;">26</td> <td style="text-align: center;">14$\frac{1}{4}$"</td> <td style="text-align: center;">0.9#</td> </tr> </tbody> </table>	MAXIMUM LENGTH	GAUGE	GIRTH	WT./FT.	20'-3	26	14 $\frac{1}{4}$ "	0.9#
MAXIMUM LENGTH	GAUGE	GIRTH	WT./FT.						
20'-3	26	14 $\frac{1}{4}$ "	0.9#						
<p><small>Bevel angle in degrees must be specified (See page TR-14).</small></p>									
<p>VALLEY TRIM</p> 	<table border="1" style="width: 100%; border-collapse: collapse;"> <thead> <tr style="background-color: #cccccc;"> <th style="text-align: center;">MAXIMUM LENGTH</th> <th style="text-align: center;">GAUGE</th> <th style="text-align: center;">GIRTH</th> <th style="text-align: center;">WT./FT.</th> </tr> </thead> <tbody> <tr> <td style="text-align: center;">20'-3</td> <td style="text-align: center;">26</td> <td style="text-align: center;">20$\frac{1}{2}$"</td> <td style="text-align: center;">1.4#</td> </tr> </tbody> </table>	MAXIMUM LENGTH	GAUGE	GIRTH	WT./FT.	20'-3	26	20 $\frac{1}{2}$ "	1.4#
MAXIMUM LENGTH	GAUGE	GIRTH	WT./FT.						
20'-3	26	20 $\frac{1}{2}$ "	1.4#						
<p><small>Angle in degrees must be specified (See page TR-14).</small></p>									

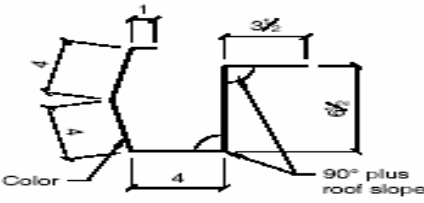
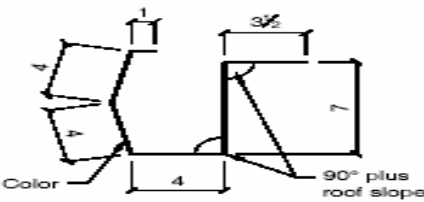
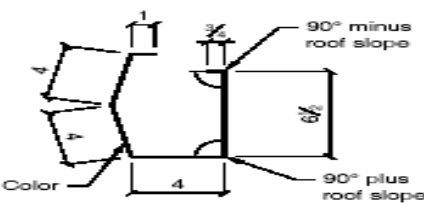
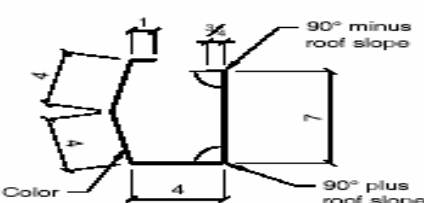
Metal Roofing and Siding Components

Typical Metal Building Trim

<p>STANDARD BASE TRIM</p> 	<table border="1"> <thead> <tr> <th>MAXIMUM LENGTH</th> <th>GAUGE</th> <th>GIRTH</th> <th>WT./FT.</th> </tr> </thead> <tbody> <tr> <td>20'-3</td> <td>26</td> <td>4⁷/₁₆"</td> <td>0.3#</td> </tr> </tbody> </table> <p>Use with base angle and/or base channel.</p>	MAXIMUM LENGTH	GAUGE	GIRTH	WT./FT.	20'-3	26	4 ⁷ / ₁₆ "	0.3#
MAXIMUM LENGTH	GAUGE	GIRTH	WT./FT.						
20'-3	26	4 ⁷ / ₁₆ "	0.3#						
<p>STANDARD BASE TRIM</p> 	<table border="1"> <thead> <tr> <th>MAXIMUM LENGTH</th> <th>GAUGE</th> <th>GIRTH</th> <th>WT./FT.</th> </tr> </thead> <tbody> <tr> <td>20'-3</td> <td>26</td> <td>12"</td> <td>0.7#</td> </tr> </tbody> </table> <p>Use with base girt.</p>	MAXIMUM LENGTH	GAUGE	GIRTH	WT./FT.	20'-3	26	12"	0.7#
MAXIMUM LENGTH	GAUGE	GIRTH	WT./FT.						
20'-3	26	12"	0.7#						
<p>HEAD TRIM (Competitor's Type)</p> 	<table border="1"> <thead> <tr> <th>MAXIMUM LENGTH</th> <th>GAUGE</th> <th>GIRTH</th> <th>WT./FT.</th> </tr> </thead> <tbody> <tr> <td>20'-3</td> <td>26</td> <td>5⁵/₈"</td> <td>0.4#</td> </tr> </tbody> </table> <p>Matches trim FL-24, FL-25, FL-26, FL-26B, AND FL-26C.</p>	MAXIMUM LENGTH	GAUGE	GIRTH	WT./FT.	20'-3	26	5 ⁵ / ₈ "	0.4#
MAXIMUM LENGTH	GAUGE	GIRTH	WT./FT.						
20'-3	26	5 ⁵ / ₈ "	0.4#						
<p>BASE TRIM (Competitor's Type)</p> 	<table border="1"> <thead> <tr> <th>MAXIMUM LENGTH</th> <th>GAUGE</th> <th>GIRTH</th> <th>WT./FT.</th> </tr> </thead> <tbody> <tr> <td>20'-3</td> <td>26</td> <td>6¹/₈"</td> <td>0.4#</td> </tr> </tbody> </table>	MAXIMUM LENGTH	GAUGE	GIRTH	WT./FT.	20'-3	26	6 ¹ / ₈ "	0.4#
MAXIMUM LENGTH	GAUGE	GIRTH	WT./FT.						
20'-3	26	6 ¹ / ₈ "	0.4#						


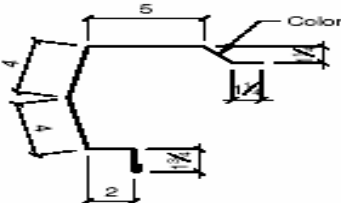



Metal Roofing and Siding Components

Typical Metal Building Trim

<p>EAVE GUTTER - $\frac{1}{2}$ - 4:12 ROOF SLOPE (Competitor's Type)</p> 	<table border="1"> <thead> <tr> <th>MAXIMUM LENGTH</th> <th>GAUGE</th> <th>GIRTH</th> <th>WT./FT.</th> </tr> </thead> <tbody> <tr> <td>20'-3</td> <td>26</td> <td>23"</td> <td>1.4#</td> </tr> </tbody> </table> <p>For Super Span roof panel. Specify roof slope. Matches trim FL-18 and FL-18B.</p>	MAXIMUM LENGTH	GAUGE	GIRTH	WT./FT.	20'-3	26	23"	1.4#
MAXIMUM LENGTH	GAUGE	GIRTH	WT./FT.						
20'-3	26	23"	1.4#						
<p>EAVE GUTTER - $4\frac{1}{8}$ - 6:12 ROOF SLOPE (Competitor's Type)</p> 	<table border="1"> <thead> <tr> <th>MAXIMUM LENGTH</th> <th>GAUGE</th> <th>GIRTH</th> <th>WT./EA.</th> </tr> </thead> <tbody> <tr> <td>20'-3</td> <td>26</td> <td>23$\frac{1}{2}$"</td> <td>1.4#</td> </tr> </tbody> </table> <p>For Super Span roof panel. Specify roof slope. Matches trim FL-18H and FL-18J.</p>	MAXIMUM LENGTH	GAUGE	GIRTH	WT./EA.	20'-3	26	23 $\frac{1}{2}$ "	1.4#
MAXIMUM LENGTH	GAUGE	GIRTH	WT./EA.						
20'-3	26	23 $\frac{1}{2}$ "	1.4#						
<p>EAVE GUTTER - $\frac{1}{2}$ - 4:12 ROOF SLOPE (Competitor's Type)</p> 	<table border="1"> <thead> <tr> <th>MAXIMUM LENGTH</th> <th>GAUGE</th> <th>GIRTH</th> <th>WT./EA.</th> </tr> </thead> <tbody> <tr> <td>20'-3</td> <td>26</td> <td>20$\frac{1}{4}$"</td> <td>1.2#</td> </tr> </tbody> </table> <p>For Super Span roof panel. Specify roof slope. Matches trim FL-18C and FL-18D.</p>	MAXIMUM LENGTH	GAUGE	GIRTH	WT./EA.	20'-3	26	20 $\frac{1}{4}$ "	1.2#
MAXIMUM LENGTH	GAUGE	GIRTH	WT./EA.						
20'-3	26	20 $\frac{1}{4}$ "	1.2#						
<p>EAVE GUTTER - $4\frac{1}{8}$ - 6:12 ROOF SLOPE (Competitor's Type)</p> 	<table border="1"> <thead> <tr> <th>MAXIMUM LENGTH</th> <th>GAUGE</th> <th>GIRTH</th> <th>WT./EA.</th> </tr> </thead> <tbody> <tr> <td>20'-3</td> <td>26</td> <td>20$\frac{3}{4}$"</td> <td>1.3#</td> </tr> </tbody> </table> <p>For Super Span roof panel. Specify roof slope. Matches trim FL-18F and FL-18G.</p>	MAXIMUM LENGTH	GAUGE	GIRTH	WT./EA.	20'-3	26	20 $\frac{3}{4}$ "	1.3#
MAXIMUM LENGTH	GAUGE	GIRTH	WT./EA.						
20'-3	26	20 $\frac{3}{4}$ "	1.3#						

Metal Roofing and Siding Components

Typical Metal Building Trim

<p style="text-align: center;">GUTTER END CAP (Competitor's Type)</p> 	GAUGE		WT./EA.	
<p style="text-align: center;">RAKE TRIM (Competitor's Type)</p> 	MAXIMUM LENGTH	GAUGE	GIRTH	WT./FT.
<p style="text-align: center;">RAKE END (Competitor's Type)</p> 	GAUGE		WT./EA.	
<p style="text-align: center;">PEAK BOX (Competitor's Type)</p> 	GAUGE		WT./EA.	
<p style="text-align: center;">CORNER BOX (Competitor's Type)</p> 	GAUGE		WT./EA.	

For Gutter FL-18B, FL-18J, FL-18D, or FL-18G.
Specify roof slope.

For Super Span roof panel.
Matches trim FL-16 and FL-16D.

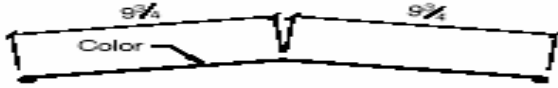
For Rake FL-16.


For Rake FL-16.
Specify roof slope.

For Rake FL-16.
Specify roof slope.

Metal Roofing and Siding Components

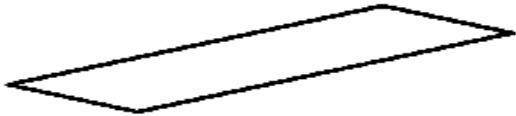
Typical Metal Building Trim

RIDGE ROLL TRIM	MAXIMUM LENGTH	GAUGE	GIRTH	WT./FT.
 <p style="text-align: center;">Ridge Roll Skid \$30.00 LTL Skid \$50.00 Maximum 100 pieces per skid</p>	12'-3	26	20 1/2"	1.4#

DIE-FORMED RIDGE CAP		GAUGE	LENGTH	WT./EA.
 <p style="text-align: center;">LTL Skid \$25.00 Super Span ridge cap shown above</p>	F	26	2'-7	7.0#
	/	26	2'-7	7.0#
	/	26	3'-0	8.1#
	/	26	3'-0	8.1#

Metal Roofing and Siding Components

Typical Metal Building Trim

FLAT TRIM SHEETS (ASTM A792, Grade 50 Material)	FINISH	LENGTH	GAUGE	WIDTH	WT./EA.
	Acrylic-Coated GALVALUME®	10'-0	26	41 $\frac{3}{8}$ "	28.0#
	Poly Polar White	10'-0	26	41 $\frac{3}{8}$ "	28.0#
	SMP Colors	10'-0	26	41 $\frac{3}{8}$ "	28.0#
	KYN Colors	10'-0	26	41 $\frac{3}{8}$ "	28.0#
	Acrylic-Coated GALVALUME®	10'-0	24	42 $\frac{3}{4}$ "	35.1#
	KYN Colors	10'-0	24	42 $\frac{3}{4}$ "	35.1#
	Acrylic-Coated GALVALUME®	10'-0	22	41 $\frac{3}{8}$ "	43.0#
	Acrylic-Coated GALVALUME®	10'-0	22	48"	50.0#
	Poly Polar White	10'-0	22	41 $\frac{3}{8}$ "	43.0#
	Flat Sheet Skid: Up to 14'-2" ~ \$35.00 LTL Skid \$50.00 For Protective Masking Film Add \$3.25 per Sheet				

Metal Roofing and Siding Components

Typical Metal Building Trim

ANGLE CHART FOR ROOF LINE TRIM



Hip



Valley



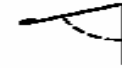
Ridge



Gutter



Transition



Inside

	Roof Slope											
	1:12	2:12	3:12	4:12	5:12	6:12	7:12	8:12	9:12	10:12	11:12	12:12
Hip	173°	166°	160°	154°	148°	143°	138°	133°	129°	126°	123°	120°
Valley	117°	113°	110°	107°	104°	102°	99°	97°	95°	93°	92°	90°
Ridge	170°	161°	152°	143°	135°	127°	120°	113°	106°	100°	95°	90°
Gutter and Transition	94°	99°	104°	108°	112°	116°	120°	123°	126°	129°	132°	135°
Inside	86°	81°	76°	72°	68°	64°	60°	57°	54°	51°	48°	45°

This chart assumes the roof slopes are the same on both sides of the hip, valley, or ridge line.
Contact your salesperson if the roof slopes are different.