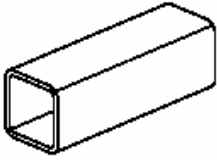





Metal Roofing and Siding Components

Structural Shapes

Structural Members

A500-B SQUARE TUBING	SIZE	THICKNESS	AVAILABLE LENGTHS	WT./FT.
	3" X 3"	0.120"	10', 13'-4 & 20'	3.3#
	4" x 4"	0.120"	10', 13'-4 & 20'	6.3#
*Galvanized members are subject to a \$75 freight charge per order.				
A53-B ROUND TUBING	O.D.	THICKNESS	AVAILABLE LENGTHS	WT./FT.
	4½"	0.156"	11'-3, 15' & 22'-6	7.2#
	6½"	0.156"	11'-3, 15' & 22'-6	10.8#
	6¾"	0.188"	11'-3, 15' & 22'-6	12.9#
*Galvanized members are subject to a \$75 freight charge per order.				
4-HOLE END PLATES Shop welded onto above tubing	SIZE	THICKNESS	HOLE PATTERN	WT./EA.
 <p data-bbox="265 1319 458 1354">Each plate has (4) 1/8" holes in the pattern as indicated.</p>	7" x 7" (For 3" square tubing)	½"	5" x 5"	3.5#
	8" x 8" (For 4" square tubing or 4½" round tubing)	¾"	6" x 6"	6.8#
	10" x 10" (For 6¾" round tubing)	¾"	7" x 7"	21.3#
*Galvanized plates will have an extra hole centered in the middle for drainage and venting during galvanizing.				
CUT-TO-LENGTH BRACE RODS	DIAMETER	AVAILABLE LENGTHS		WT./FT.
 <p data-bbox="265 1663 444 1698">Each end will be threaded with 5' R.H. Coarse Thread.</p>	½"	20'-0" or 40'-0"		0.7#
	5/8"	20'-0" or 40'-0"		1.0#
	¾"	20'-0" or 40'-0"		1.5#
	1"	20'-0" or 40'-0"		2.7#
<p>All brace rods will priced to a 10' minimum. For brace rod hardware, see ACCESSORIES section. *Galvanized members are subject to a \$75 freight charge per order.</p>				