



Metal Roofing and Siding Accessories


PERSONNEL DOOR UNITS			DESCRIPTION		
DOOR SIZE	STYLE	WT./UNIT			
3070 (single leaf)	"M"	166#			
3070 (single leaf)	"G" or "LV"	161#			
4070 (single leaf)	"M"	190#			
4070 (single leaf)	"G" or "LV"	185#			
6070 (double leaf)	"M"	265#			
6070 (double leaf)	"G" or "LV"	255#			



"M"
STYLE

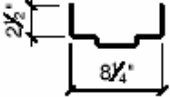


"G"
STYLE



"LV"
STYLE

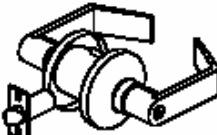
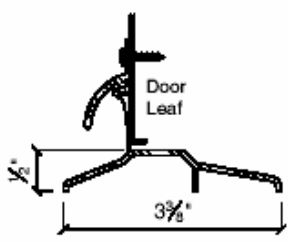
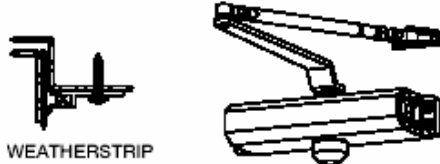

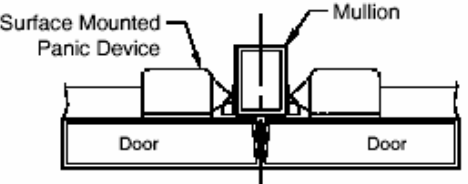
STANDARD
FRAME SECTION



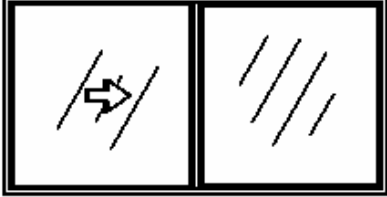






All door units are non-handed.

Single leaf door unit includes: leaf, frame (knocked down), assembly bolts, plain bearing hinges and threshold.
 Double leaf door unit includes: two surface bolts, handed astragal and lock hole filler plate in addition to the items listed for the single leaf unit.
 Glass and glazing is not included on "G" or "LV".
 All white door leaves are embossed.
 ADA regulations require lever lockset for public access buildings.

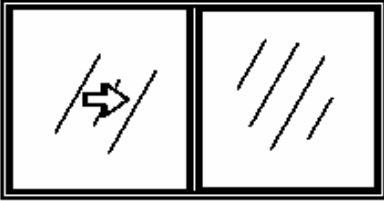





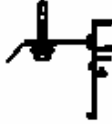
Metal Roofing and Siding Accessories

DOOR COMPONENTS	DESCRIPTION
 <p>LEVER TYPE CYLINDRICAL LOCKSET</p>	3070 "M" Door Leaf only 3070 "G" or "LV" Door Leaf only 4070 "M" Door Leaf only 4070 "G" or "LV" Door Leaf only
 <p>Door Leaf</p> <p>THRESHOLD & SWEEP</p> <p>3 3/8"</p> <p>1/2"</p>	3070 Frame, 8 1/4" Depth (includes assembly bolts)..... 4070 Frame, 8 1/4" Depth (includes assembly bolts)..... 6070 Frame, 8 1/4" Depth (includes assembly bolts)..... Handed Astragal (specify leaf attaching to)..... Lock Hole Filler Plate (used on inactive leaf)..... Aluminum Threshold (ADA) 1/2" high. (includes anchors, screws, and sweep) 3'-0" 4'-0" 6'-0"
 <p>WEATHERSTRIP</p> <p>CLOSER</p>	Surface Bolt, US26D (2 required per leaf)..... Full Mortise Hinges, 4 1/2" x 4 1/2" Steel, US26D, Non-Removable Pins, (3/Box) Plain Bearing Ball Bearing Thru-Mounted, Hydraulic, Size IV Door Closer..... Weatherstripping Pkg, aluminum/neoprene 3070 Door..... 4070 Door..... 6070 Door.....
 <p>SURFACE MOUNTED PANIC DEVICE (Replaces standard lockset)</p>	Standard Duty Cylindrical Lockset Knob, US32D Heavy Duty Cylindrical Lockset Knob, US26D Lever Type Cylindrical Lockset, US26D (ADA) Mortise Lever Lockset, (function 86A), US26D (requires a specially prepared leaf) (ADA)..... Keyed Alike Charge, per Lock.....
 <p>Surface Mounted Panic Device</p> <p>Mullion</p> <p>Door</p> <p>Door</p> <p>Cross-Section thru Mullion & Doors</p> <p>REMOVABLE MULLION APPLICATION</p>	Surface Mounted Reversible Panic Device, US26D (has keyed lever for exterior entry) (ADA) Removable Mullion (Must be used on double leaf door when using above panic device), gray only..... Double Cylinder Dead Bolt, US32D, (lock only, door prep charges not included)..... Dead Bolt Preparation Charges for Door Leaf and Frame (this hands leaf and frame)



Metal Roofing and Siding Accessories

HORIZONTAL SLIDE WINDOWS		DESCRIPTION	
		SIZE	WT./EA.
			
 <p data-bbox="242 666 299 695">Head</p>  <p data-bbox="471 666 514 695">Sill</p>		3030 w/ half-screen	24.0#
		3040 w/ half-screen	33.5#
		4030 w/ half-screen	31.8#
		4040 w/ half-screen	41.7#
		5030 w/ half-screen	38.5#
		5040 w/ half-screen	49.9#
 		6020 w/ half-screen	38.5#
		6030 w/ half-screen	43.8#
		6040 w/ half-screen	57.8#
<p data-bbox="157 859 385 898">Super Span Panel Fin</p> <p data-bbox="414 859 606 898">Low Rib Panel Fin</p>  <p data-bbox="171 1072 378 1110">Monarch Panel Fin</p>  <p data-bbox="406 1072 599 1110">Straight Panel Fin</p>		<p data-bbox="649 946 1120 975">Specify Super Span, Low Rib, Monarch, or Straight Fins.</p> <p data-bbox="649 975 1220 1052">All windows have field installed fins to fit the specified panel. Width of window is indicated by the first two digits in the description and is measured center-to-center of the fins. Windows are self-framing and require no additional flashing or trim.</p> <p data-bbox="649 1052 863 1081">Glass is clear DSB grade.</p> <p data-bbox="649 1081 949 1110">LTL crating charge is \$50 per order.</p>	

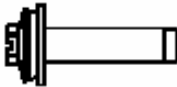



Metal Roofing and Siding Accessories

HORIZONTAL SLIDE WINDOWS		DESCRIPTION	
		SIZE	WT./EA.
		3030 w/ half-screen	24.0#
		3040 w/ half-screen	33.5#
  <p data-bbox="248 672 308 695">Head</p> <p data-bbox="479 672 515 695">Sill</p>		4030 w/ half-screen	31.8#
		4040 w/ half-screen	41.7#
  <p data-bbox="158 865 386 898">Super Span Panel Fin</p> <p data-bbox="415 865 608 898">Low Rib Panel Fin</p>		6020 w/ half-screen	38.5#
		6030 w/ half-screen	43.8#
		6040 w/ half-screen	57.8#
  <p data-bbox="177 1078 379 1110">Monarch Panel Fin</p> <p data-bbox="408 1078 601 1110">Straight Panel Fin</p>		<p data-bbox="654 952 1115 975">Specify Super Span, Low Rib, Monarch, or Straight Fins.</p> <p data-bbox="654 977 1222 1058">All windows have field installed fins to fit the specified panel. Width of window is indicated by the first two digits in the description and is measured center-to-center of the fins. Windows are self-framing and require no additional flashing or trim.</p> <p data-bbox="654 1060 865 1083">Glass is clear DSB grade.</p> <p data-bbox="654 1085 948 1108">LTL crating charge is \$50 per order.</p>	

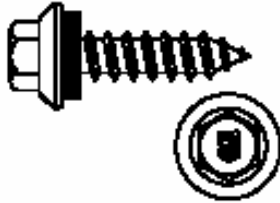


Metal Roofing and Siding Accessories

VERTICAL SLIDE WINDOWS	DESCRIPTION	
	SIZE	WT./EA.
	3030 w/ half-screen	30.0#
	3040 w/ half-screen	34.0#
3050 w/ half-screen	38.0#	
	DESCRIPTION	
	SIZE	WT./EA.
	1070	40.0#
2060	50.0#	
2070	52.0#	
	<p>Specify Super Span, Low Rib, Monarch, or Straight Fins.</p> <p>All windows have field installed fins to fit the specified panel. Width of window is indicated by the first two digits in the description and is measured center-to-center of the fins. Windows are self-framing and require no additional flashing or trim.</p> <p>Glass is 1/8" Gray Tinted Tempered.</p> <p>LTL crating charge is \$50 per order.</p>	

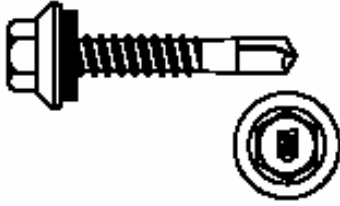
Metal Roofing and Siding Accessories




<p style="text-align: center;">STAINLESS GROMMETS</p>  <p>For stitching light transmitting panels together.</p>	<table border="1" style="width: 100%; border-collapse: collapse;"> <thead> <tr> <th style="width: 70%;">DESCRIPTION</th> <th style="width: 30%;">WT./1000</th> </tr> </thead> <tbody> <tr> <td>#6-32 x 1" hole slotted hex head 305 stainless steel machine screw preassembled to 1/2" O.D. washer and neoprene grommet with "molded-in" nut.</td> <td style="text-align: right;">4.9#</td> </tr> <tr> <td colspan="2">✗" diameter hole required.</td> </tr> </tbody> </table>	DESCRIPTION	WT./1000	#6-32 x 1" hole slotted hex head 305 stainless steel machine screw preassembled to 1/2" O.D. washer and neoprene grommet with "molded-in" nut.	4.9#	✗" diameter hole required.					
DESCRIPTION	WT./1000										
#6-32 x 1" hole slotted hex head 305 stainless steel machine screw preassembled to 1/2" O.D. washer and neoprene grommet with "molded-in" nut.	4.9#										
✗" diameter hole required.											
<p style="text-align: center;">VINYL FACED INSULATION</p> 	<table border="1" style="width: 100%; border-collapse: collapse;"> <thead> <tr> <th style="width: 70%;">DESCRIPTION</th> <th style="width: 30%;">WT./MSF</th> </tr> </thead> <tbody> <tr> <td>Thickness</td> <td></td> </tr> <tr> <td>3" (R10)</td> <td style="text-align: right;">192.0#</td> </tr> <tr> <td>4" (R13)</td> <td style="text-align: right;">220.0#</td> </tr> <tr> <td colspan="2"> Insulation is UL-25 fire rated, 0.6#/cu.ft. density, with a 4 mil. white vinyl taffeta vapor barrier with 2" vinyl tabs on each side. Length and width of each roll must be specified. Length limits: 20' - 125' Available widths: 3', 4', 5', 6' Maximum 2 widths per order, please! Stock rolls of 3" thick x 6'-0" wide are stocked in 52'-0" and 104'-0" lengths. </td> </tr> </tbody> </table>	DESCRIPTION	WT./MSF	Thickness		3" (R10)	192.0#	4" (R13)	220.0#	Insulation is UL-25 fire rated, 0.6#/cu.ft. density, with a 4 mil. white vinyl taffeta vapor barrier with 2" vinyl tabs on each side. Length and width of each roll must be specified. Length limits: 20' - 125' Available widths: 3', 4', 5', 6' Maximum 2 widths per order, please! Stock rolls of 3" thick x 6'-0" wide are stocked in 52'-0" and 104'-0" lengths.	
DESCRIPTION	WT./MSF										
Thickness											
3" (R10)	192.0#										
4" (R13)	220.0#										
Insulation is UL-25 fire rated, 0.6#/cu.ft. density, with a 4 mil. white vinyl taffeta vapor barrier with 2" vinyl tabs on each side. Length and width of each roll must be specified. Length limits: 20' - 125' Available widths: 3', 4', 5', 6' Maximum 2 widths per order, please! Stock rolls of 3" thick x 6'-0" wide are stocked in 52'-0" and 104'-0" lengths.											
<p style="text-align: center;">POULTRY NETTING</p> 	<table border="1" style="width: 100%; border-collapse: collapse;"> <thead> <tr> <th style="width: 70%;">DESCRIPTION</th> <th style="width: 30%;">WT./EA.</th> </tr> </thead> <tbody> <tr> <td>20 Gauge Galvanized x 2" wire mesh</td> <td></td> </tr> <tr> <td>6' wide x 300' long roll</td> <td style="text-align: right;">88.0#</td> </tr> <tr> <td>6' wide x 150' long roll</td> <td style="text-align: right;">44.0#</td> </tr> </tbody> </table>	DESCRIPTION	WT./EA.	20 Gauge Galvanized x 2" wire mesh		6' wide x 300' long roll	88.0#	6' wide x 150' long roll	44.0#		
DESCRIPTION	WT./EA.										
20 Gauge Galvanized x 2" wire mesh											
6' wide x 300' long roll	88.0#										
6' wide x 150' long roll	44.0#										
<p style="text-align: center;">INSULATION TAPES</p> 	<table border="1" style="width: 100%; border-collapse: collapse;"> <thead> <tr> <th style="width: 100%;">DESCRIPTION</th> </tr> </thead> <tbody> <tr> <td>3" wide White Vinyl Patching Tape x 150' roll (Used for sidelaps or tears in facing.)</td> </tr> <tr> <td>1½" wide Double-Faced Polyester tape x 180' roll (Used to secure insulation at eave or base prior to stitching light.)</td> </tr> </tbody> </table>	DESCRIPTION	3" wide White Vinyl Patching Tape x 150' roll (Used for sidelaps or tears in facing.)	1½" wide Double-Faced Polyester tape x 180' roll (Used to secure insulation at eave or base prior to stitching light.)							
DESCRIPTION											
3" wide White Vinyl Patching Tape x 150' roll (Used for sidelaps or tears in facing.)											
1½" wide Double-Faced Polyester tape x 180' roll (Used to secure insulation at eave or base prior to stitching light.)											

Metal Roofing and Siding Accessories

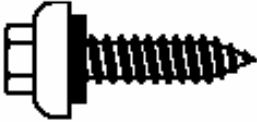


<p>MATCHING FINISH SELF-TAPPING FASTENERS w/ FLAT TOP UNDERCUT HEAD w/ EPDM SEALING WASHER This fastener will not drill</p>  <p>Holes must be pre-drilled through all metal when using this type of fastener.</p>	<table border="1"> <thead> <tr> <th>SIZE</th> <th>LENGTH</th> <th>THREAD</th> <th>HEAD AF</th> <th>WT./M.</th> </tr> </thead> <tbody> <tr> <td>#14</td> <td>3/4"</td> <td>"A"</td> <td>5/16"</td> <td>14.9#</td> </tr> <tr> <td>#14</td> <td>1"</td> <td>"A"</td> <td>5/16"</td> <td>16.5#</td> </tr> <tr> <td>#14</td> <td>1 1/2"</td> <td>"A"</td> <td>5/16"</td> <td>21.2#</td> </tr> <tr> <td>#14</td> <td>2"</td> <td>"A"</td> <td>5/16"</td> <td>26.3#</td> </tr> <tr> <td>#17</td> <td>1"</td> <td>"AB"</td> <td>5/16"</td> <td>17.8#</td> </tr> </tbody> </table>	SIZE	LENGTH	THREAD	HEAD AF	WT./M.	#14	3/4"	"A"	5/16"	14.9#	#14	1"	"A"	5/16"	16.5#	#14	1 1/2"	"A"	5/16"	21.2#	#14	2"	"A"	5/16"	26.3#	#17	1"	"AB"	5/16"	17.8#					
SIZE	LENGTH	THREAD	HEAD AF	WT./M.																																
#14	3/4"	"A"	5/16"	14.9#																																
#14	1"	"A"	5/16"	16.5#																																
#14	1 1/2"	"A"	5/16"	21.2#																																
#14	2"	"A"	5/16"	26.3#																																
#17	1"	"AB"	5/16"	17.8#																																
<p>MATCHING FINISH SELF-TAPPING FASTENERS w/ DISH-BONDED, ONE-PIECE SEALING WASHER This fastener will not drill</p>  <p>Holes must be pre-drilled through all metal when using this type of fastener.</p>	<table border="1"> <thead> <tr> <th>SIZE</th> <th>LENGTH</th> <th>THREAD</th> <th>HEAD AF</th> <th>WT./M.</th> </tr> </thead> <tbody> <tr> <td>#14</td> <td>3" *</td> <td>"A"</td> <td>3/8"</td> <td>34.2#</td> </tr> <tr> <td>#14</td> <td>4" **</td> <td>"A"</td> <td>3/8"</td> <td>41.9#</td> </tr> </tbody> </table> <p>* Stocked in colors to match GALVALUME® and "Polar White" only. Other colors must be special ordered.</p> <p>** Stocked in color to match GALVALUME® only. Other colors must be special ordered.</p>	SIZE	LENGTH	THREAD	HEAD AF	WT./M.	#14	3" *	"A"	3/8"	34.2#	#14	4" **	"A"	3/8"	41.9#																				
SIZE	LENGTH	THREAD	HEAD AF	WT./M.																																
#14	3" *	"A"	3/8"	34.2#																																
#14	4" **	"A"	3/8"	41.9#																																
<p>300 SERIES STAINLESS STEEL SELF-TAPPING FASTENERS w/ DISH-BONDED, ONE-PIECE SEALING WASHER This fastener will not drill</p>  <p>Holes must be pre-drilled through all metal when using this type of fastener. Caution! The threads on stainless fasteners are softer than carbon steel and will strip out if over-torqued or forced into too small a hole.</p>	<table border="1"> <thead> <tr> <th>SIZE</th> <th>LENGTH</th> <th>THREAD</th> <th>HEAD AF</th> <th>WT./M.</th> </tr> </thead> <tbody> <tr> <td>#14</td> <td>3/4"</td> <td>"A"</td> <td>3/8"</td> <td>14.3#</td> </tr> <tr> <td>#14</td> <td>1"</td> <td>"A"</td> <td>3/8"</td> <td>16.2#</td> </tr> <tr> <td>#14</td> <td>1 1/2"</td> <td>"A"</td> <td>3/8"</td> <td>21.6#</td> </tr> <tr> <td>#14</td> <td>2"</td> <td>"A"</td> <td>3/8"</td> <td>26.0#</td> </tr> <tr> <td>#14</td> <td>3"</td> <td>"A"</td> <td>3/8"</td> <td>34.1#</td> </tr> <tr> <td>#17</td> <td>1"</td> <td>"AB"</td> <td>3/8"</td> <td>19.5#</td> </tr> </tbody> </table> <p>Most lengths and colors are special order and could be subject to limited availability. Please inquire.</p>	SIZE	LENGTH	THREAD	HEAD AF	WT./M.	#14	3/4"	"A"	3/8"	14.3#	#14	1"	"A"	3/8"	16.2#	#14	1 1/2"	"A"	3/8"	21.6#	#14	2"	"A"	3/8"	26.0#	#14	3"	"A"	3/8"	34.1#	#17	1"	"AB"	3/8"	19.5#
SIZE	LENGTH	THREAD	HEAD AF	WT./M.																																
#14	3/4"	"A"	3/8"	14.3#																																
#14	1"	"A"	3/8"	16.2#																																
#14	1 1/2"	"A"	3/8"	21.6#																																
#14	2"	"A"	3/8"	26.0#																																
#14	3"	"A"	3/8"	34.1#																																
#17	1"	"AB"	3/8"	19.5#																																

Metal Roofing and Siding Accessories

MATCHING FINISH SELF-DRILLING FASTENERS w/ FLAT TOP UNDERCUT HEAD w/ EPDM SEALING WASHER	SIZE	LENGTH	HEAD AF	WT./M.
	#12	1¼"	⅝"	21.0#
	#12	1½"	⅝"	23.1#
	#12	2"	⅝"	28.0#
	#14	⅞" Lap-Tek	⅝"	16.0#
<p>Use Lap-Tek as a sheet metal to sheet metal fastener only. Use these fasteners only when attaching sheet metal directly to steel Zees and Cees. These fasteners are not made for attachment into wood members or decking.</p>	<p>Most lengths and colors except 1¼" and ⅞" Lap-Tek are special order and could be subject to limited availability. Please inquire.</p>			

MATCHING FINISH STAINLESS STEEL POP RIVETS	SIZE	GRIP RANGE	WT./M.
	⅜" Diameter	.063" - .125"	2.8#
Body and mandrel are stainless steel.			
DRILL BITS	SIZE	DIA.	USED FOR
	⅜"	(.125")	Pop rivets, pilot holes for #14 stitch
	#8	(.199")	#14 members/stitch
	⅞ ₃₂ "	(.219")	#14 stainless steel members/stitch
	#1	(.228")	#14 into heavy structural
MAGNETIC SOCKET (HEX DRIVE)	SIZE	USED FOR	
	⅜"	#14 driller or tapper	
	⅝"	#12 driller	
	¼"	#10 wood fastener	

Metal Roofing and Siding Accessories

<p>MATCHING FINISH LONG-LIFE ZINC-ALUMINUM HEAD SELF-TAPPING FASTENERS w/ SEALING WASHERS ATLAS ULTIMATE™ This fastener will not drill</p>  <p>Holes must be pre-drilled through all metal when using this type of fastener.</p>	<table border="1"> <thead> <tr> <th>SIZE</th> <th>LENGTH</th> <th>THREAD</th> <th>HEAD AF</th> <th>WT./M.</th> </tr> </thead> <tbody> <tr> <td>#14</td> <td>¾"</td> <td>"AB"</td> <td>⅝"</td> <td>15.4#</td> </tr> <tr> <td>#14</td> <td>1"</td> <td>"AB"</td> <td>⅝"</td> <td>18.5#</td> </tr> <tr> <td>#14</td> <td>1½"</td> <td>"AB"</td> <td>⅝"</td> <td>22.7#</td> </tr> <tr> <td>#14</td> <td>2"</td> <td>"AB"</td> <td>⅝"</td> <td>24.5#</td> </tr> <tr> <td>#17</td> <td>1"</td> <td>"AB"</td> <td>⅝"</td> <td>25.8#</td> </tr> </tbody> </table> <p>Many lengths and colors are special order and could be subject to limited availability. Please inquire.</p>	SIZE	LENGTH	THREAD	HEAD AF	WT./M.	#14	¾"	"AB"	⅝"	15.4#	#14	1"	"AB"	⅝"	18.5#	#14	1½"	"AB"	⅝"	22.7#	#14	2"	"AB"	⅝"	24.5#	#17	1"	"AB"	⅝"	25.8#
SIZE	LENGTH	THREAD	HEAD AF	WT./M.																											
#14	¾"	"AB"	⅝"	15.4#																											
#14	1"	"AB"	⅝"	18.5#																											
#14	1½"	"AB"	⅝"	22.7#																											
#14	2"	"AB"	⅝"	24.5#																											
#17	1"	"AB"	⅝"	25.8#																											
<p>MATCHING FINISH LONG-LIFE ZINC-ALUMINUM HEAD SELF-DRILLING FASTENERS w/ SEALING WASHERS ATLAS ULTIMATE™</p>  <p>Use #12 fasteners only when attaching sheet metal directly to steel Zees and Cees. #12 fasteners are not made for attachment into wood members or decking. Use #14 fasteners as a sheet metal to sheet metal fastener only.</p>	<table border="1"> <thead> <tr> <th>SIZE</th> <th>LENGTH</th> <th>HEAD AF</th> <th>WT./M.</th> </tr> </thead> <tbody> <tr> <td>#12</td> <td>1¼"</td> <td>⅝"</td> <td>16.1#</td> </tr> <tr> <td>#12</td> <td>1½"</td> <td>⅝"</td> <td>19.2#</td> </tr> <tr> <td>#12</td> <td>2"</td> <td>⅝"</td> <td>20.7#</td> </tr> <tr> <td>#14</td> <td>⅞" Lap-Tek</td> <td>⅝"</td> <td>18.0#</td> </tr> </tbody> </table> <p>Many lengths and colors are special order and could be subject to limited availability. Please inquire.</p>	SIZE	LENGTH	HEAD AF	WT./M.	#12	1¼"	⅝"	16.1#	#12	1½"	⅝"	19.2#	#12	2"	⅝"	20.7#	#14	⅞" Lap-Tek	⅝"	18.0#										
SIZE	LENGTH	HEAD AF	WT./M.																												
#12	1¼"	⅝"	16.1#																												
#12	1½"	⅝"	19.2#																												
#12	2"	⅝"	20.7#																												
#14	⅞" Lap-Tek	⅝"	18.0#																												
<p>MATCHING FINISH WOOD FASTENERS w/ DISH-BONDED ONE-PIECE SEALING WASHERS ATLAS WOODTITE</p>  <p>These fasteners will punch through 26ga. sheet metal and fasten into wood members or deck only.</p>	<table border="1"> <thead> <tr> <th>SIZE</th> <th>LENGTH</th> <th>HEAD AF</th> <th>WT./M.</th> </tr> </thead> <tbody> <tr> <td>#9</td> <td>1"</td> <td>¼"</td> <td>8.7#</td> </tr> <tr> <td>#9</td> <td>1½"</td> <td>¼"</td> <td>10.8#</td> </tr> <tr> <td>#9 *</td> <td>2"</td> <td>¼"</td> <td>13.1#</td> </tr> <tr> <td>#9 *</td> <td>3"</td> <td>¼"</td> <td>17.7#</td> </tr> </tbody> </table> <p>* Many lengths and colors are special order and could be subject to limited availability. Please inquire.</p>	SIZE	LENGTH	HEAD AF	WT./M.	#9	1"	¼"	8.7#	#9	1½"	¼"	10.8#	#9 *	2"	¼"	13.1#	#9 *	3"	¼"	17.7#										
SIZE	LENGTH	HEAD AF	WT./M.																												
#9	1"	¼"	8.7#																												
#9	1½"	¼"	10.8#																												
#9 *	2"	¼"	13.1#																												
#9 *	3"	¼"	17.7#																												

Metal Roofing and Siding Accessories

MATCHING FINISH LONG-LIFE
ZINC-ALUMINUM HEAD WOOD
FASTENERS w/ SEALING WASHERS

 WOODMATE™

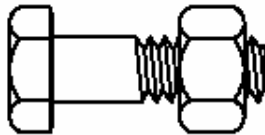
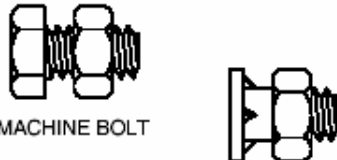




These fasteners will punch through 26ga. sheet metal and fasten into wood members or deck only.


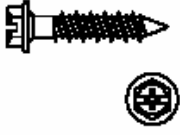
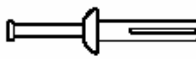
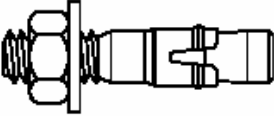
SIZE	LENGTH	HEAD AF	WT./M.
#10	1"	5/16"	14.2#
#10	1½"	5/16"	16.3#
#10	2"	5/16"	18.6#

All lengths and colors are special order and could be subject to limited availability. Please inquire.


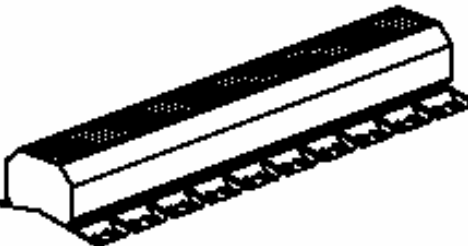
Metal Roofing and Siding Accessories

A325 HIGH STRENGTH STRUCTURAL BOLTS WITH NUTS	DIAMETER	LENGTH	THREAD	TPI	WT./100
 <p>All bolts have Heavy Hex Heads. All nuts are A194 Heavy Hex Nuts.</p>	1/2"	x 1 1/4"	1"	13	17.8#
	1/2"	x 1 1/2"	1"	13	19.2#
	5/8"	x 1 1/2"	1 1/4"	11	33.1#
	5/8"	x 1 3/4"	1 1/4"	11	35.3#
	5/8"	x 2"	1 1/4"	11	37.4#
	3/4"	x 1 1/2"	1 3/8"	10	55.3#
	3/4"	x 2"	1 3/8"	10	58.4#
	3/4"	x 2 1/4"	1 3/8"	10	61.6#
	3/4"	x 2 1/2"	1 3/8"	10	64.7#
	3/4"	x 2 3/4"	1 3/8"	10	67.8#
	1"	x 2 3/4"	1 3/4"	8	135.0#
	1"	x 3"	1 3/4"	8	141.0#
	1"	x 3 1/4"	1 3/4"	8	146.0#
A307 LOW CARBON BOLTS w/ NUTS	DIAMETER	LENGTH	THREAD	TPI	WT./100
 <p>MACHINE BOLT</p> <p>FIN NECK BOLT</p>	1/2"	x 1 1/4"	1 1/4"	13	10.3#
	1/2"	x 1 1/4"	1 1/8"	13	8.5#
(Not Hardened)					
USS FLAT WASHERS	BOLT DIAMETER	I.D.	O.D.	TPI	WT./100
	1/2"	x 3/16"	1 3/8"	13	3.9#
	5/8"	x 1/8"	1 1/4"	11	7.7#
	3/4"	x 13/16"	2"	10	11.0#
	1"	x 1 1/16"	2 1/2"	8	18.9#
A307 LOW CARBON HEX NUTS	BOLT DIAMETER	THICKNESS	TPI	WT./100	
	1/2"	x 5/16"	13	3.8#	
	5/8"	x 3/8"	11	7.3#	
	3/4"	x 27/64"	10	11.9#	
	1"	x 35/64"	8	28.3#	

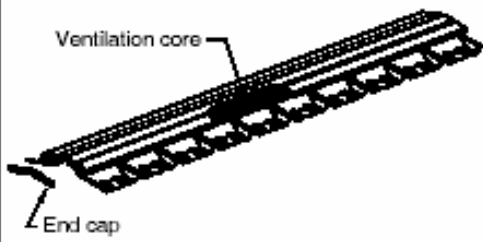
Metal Roofing and Siding Accessories

<p>THREADED MASONRY FASTENERS CARBON STEEL OXYSEAL III® w/ PHILLIPS HEAD/HEX WASHER HEAD  CON-MATE®</p>  <p>For fastening angles or panel support trim to concrete foundation.</p>	<table border="1"> <thead> <tr> <th>SIZE</th> <th>LENGTH</th> <th>HEAD AF</th> <th>WT./M.</th> <th>PRICE PER 1000</th> </tr> </thead> <tbody> <tr> <td>¼ - 14</td> <td>1½"</td> <td>¾"</td> <td>14.3#</td> <td>107.50</td> </tr> </tbody> </table>	SIZE	LENGTH	HEAD AF	WT./M.	PRICE PER 1000	¼ - 14	1½"	¾"	14.3#	107.50															
SIZE	LENGTH	HEAD AF	WT./M.	PRICE PER 1000																						
¼ - 14	1½"	¾"	14.3#	107.50																						
<p>NAIL-IN CINCH ANCHOR</p>  <p>For fastening angles or panel support trim to concrete foundation.</p>	<table border="1"> <thead> <tr> <th>DIAMETER</th> <th>LENGTH</th> <th>WT./100</th> <th>PRICE PER 100</th> </tr> </thead> <tbody> <tr> <td>¼"</td> <td>1½"</td> <td>2.1#</td> <td>23.50</td> </tr> </tbody> </table> <p>Use ¼" diameter masonry drill bit to drill hole in concrete.</p>	DIAMETER	LENGTH	WT./100	PRICE PER 100	¼"	1½"	2.1#	23.50																	
DIAMETER	LENGTH	WT./100	PRICE PER 100																							
¼"	1½"	2.1#	23.50																							
<p>WEDGE ANCHOR w/ NUT AND FLAT WASHER</p> 	<table border="1"> <thead> <tr> <th>DIAMETER</th> <th>LENGTH</th> <th>THREAD</th> <th>WT./100</th> <th>PRICE PER 100</th> </tr> </thead> <tbody> <tr> <td>½"</td> <td>2¾"</td> <td>1½"</td> <td>23.0#</td> <td>87.00</td> </tr> <tr> <td>⅝"</td> <td>4¼"</td> <td>1¾"</td> <td>53.0#</td> <td>186.00</td> </tr> <tr> <td>¾"</td> <td>5½"</td> <td>2"</td> <td>90.0#</td> <td>300.00</td> </tr> <tr> <td>1"</td> <td>6"</td> <td>2½"</td> <td>240.0#</td> <td>1165.00</td> </tr> </tbody> </table> <p>All wedge anchors are zinc-plated. Use same diameter masonry drill bit to drill hole in concrete.</p>	DIAMETER	LENGTH	THREAD	WT./100	PRICE PER 100	½"	2¾"	1½"	23.0#	87.00	⅝"	4¼"	1¾"	53.0#	186.00	¾"	5½"	2"	90.0#	300.00	1"	6"	2½"	240.0#	1165.00
DIAMETER	LENGTH	THREAD	WT./100	PRICE PER 100																						
½"	2¾"	1½"	23.0#	87.00																						
⅝"	4¼"	1¾"	53.0#	186.00																						
¾"	5½"	2"	90.0#	300.00																						
1"	6"	2½"	240.0#	1165.00																						

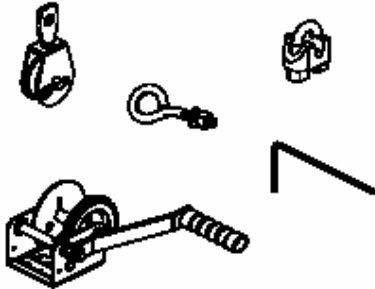
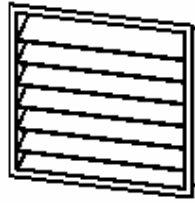
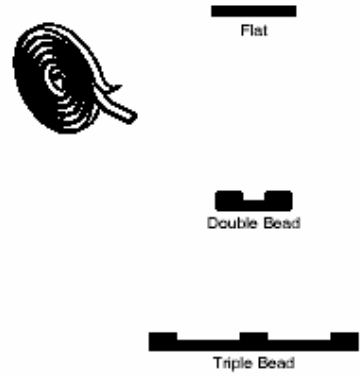
Metal Roofing and Siding Accessories

CIRCULAR GRAVITY VENTILATORS	DESCRIPTION	WT./EA.
	12" Diameter Throat, 26 GA, w/ damper	65.0#
	12" Diameter Throat, 26 GA, w/o damper	65.0#
	20" Diameter Throat, 26 GA, w/ damper	70.0#
	20" Diameter Throat, 26 GA, w/o damper	70.0#
	<p>All ventilators have bird screen.</p> <p>Pricing shown is for ventilators mounted into a matching finish Super Span 3'-0" ridge cap having a roof slope of 1:12 or 4:12 only.</p> <p>For ventilators mounted into a Low Rib 3'-0" ridge cap or any other roof slope on a Super Span 3'-0" ridge cap (up to 6:12), add \$10.00 per vent.</p> <p>For ventilators mounted into a flat skirt, no extra charge.</p> <p>For ventilators to be slope-mounted into a 6'-0" long Super Span panel, add \$25.00 per vent.</p> <p>For 24 gauge ventilators, add 50%.</p> <p>For standard color ventilators other than Polar White, add 40%.</p> <p>For hardware required for adjustable ventilators, see page ACC-8.</p> <p>For chain operated ventilators, please inquire.</p>	
CONTINUOUS THROAT GRAVITY RIDGE VENTILATORS	DESCRIPTION	WT./EA.
	9" Throat x 10' Long, 26 GA, w/ damper	207.0#
	9" Throat x 10' Long, 26 GA, w/o damper	207.0#
	12" Throat x 10' Long, 26 GA, w/ damper	223.0#
	12" Throat x 10' Long, 26 GA, w/o damper	223.0#
	<p>All ventilators have bird screen.</p> <p>Pricing shown is for ventilators with die-formed skirts for Super Span panel only. Included with each ventilator are splice plates, end skirts, and special rope sealant.</p> <p>For ventilators mounted into a flat skirt, deduct \$25.00.</p> <p>All ventilators will conform to roof slopes up to 6:12.</p> <p>For 24 gauge ventilators, add 50%.</p> <p>For standard color ventilators other than Polar White, add 40%.</p> <p>Die-formed skirts are for Super Span panel available in 26 gauge GALVALUME ® and Polar White only.</p> <p>For hardware required for adjustable ventilators, see page ACC-8.</p> <p>For chain operated ventilators, please inquire.</p>	

Metal Roofing and Siding Accessories

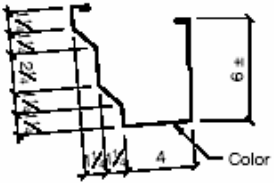
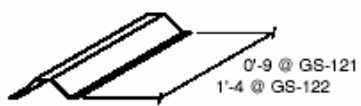
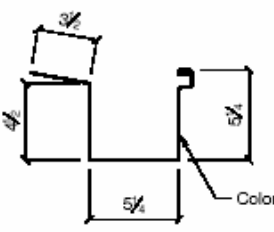
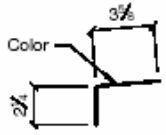
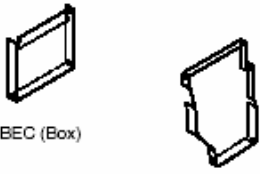
RIDGELINE CORAVENT LO-PROFILE FLOATING RIDGE VENT	DESCRIPTION	WT./EA.
 <p data-bbox="199 434 349 454">Ventilation core</p> <p data-bbox="178 618 264 637">End cap</p>	<p data-bbox="654 357 978 386">7" Throat x 10' Long, 26 GA</p> <p data-bbox="664 396 1178 415">Designed for minimal ventilation with lower profile appearance.</p> <p data-bbox="664 425 1035 444">For Coravent with flat skirts, no extra charge.</p> <p data-bbox="664 454 963 473">Must specify roof slope (up to 12:12).</p> <p data-bbox="664 483 942 502">For 24 gauge Coravent, add 50%.</p> <p data-bbox="664 511 1170 531">For standard color Coravent other than Polar White, add 40%.</p> <p data-bbox="664 540 1192 589">Die-formed skirts are for Super Span panel available in 26 gauge GALVALUME ® and Polar White only.</p> <p data-bbox="664 598 1028 618">End caps and splice kits are sold separately.</p> <p data-bbox="654 656 763 685">End Cap</p> <p data-bbox="671 685 835 705">(2 per run required.)</p> <p data-bbox="654 714 878 743">Optional Splice Kit</p> <p data-bbox="671 743 885 763">(Splice cover and sealant)</p>	<p data-bbox="1206 357 1270 386">65.0#</p>

Metal Roofing and Siding Accessories

VENTILATOR HARDWARE	DESCRIPTION				
	Galvanized $\frac{3}{32}$ " Vent Cable 1 $\frac{1}{2}$ " Pulley w/ Swivel Block Pulley Mounting Angle (red-oxide finish) $\frac{1}{4}$ " x 2" Eye Bolt w/ Nut Cable Clamps Vent Adjustment Hook Hand Winch Winch Mounting Angle (red-oxide finish)				
STEEL LOUVERS	WIDTH	HEIGHT	TYPE	WT./EA.	
 <p data-bbox="228 1178 549 1217">All louvers have 18 gauge frames, 20 gauge blades and choice of bird or insect screen.</p>	3'	x 3'	Fixed or Adjustable	54.0#	
	4'	x 3'	Fixed or Adjustable	72.0#	
	5'	x 3'	Fixed or Adjustable	90.0#	
	6'	x 3'	Fixed or Adjustable	108.0#	
	4'	x 4'	Fixed or Adjustable	96.0#	
	6'	x 4'	Fixed or Adjustable	144.0#	
	<p>Specify Super Span, Low Rib, Monarch, or Straight Fins.</p> <p>All louvers are fabricated with permanent fins to fit specified panel. Width of louver is measured center-to-center of fins.</p> <p>All louvers are self-framing and require no additional flashing or trim.</p> <p>If louver is to fit in an existing framed opening, this must be known.</p> <p>All adjustable louvers operate with a hand crank. For pull-chain operation, please inquire.</p> <p>All louvers are special order, require five working-day delivery and are not returnable.</p> <p>*Color louvers other than Polar White, Burnished Slate, Sahara Tan, and Light Stone require an additional 40% charge.</p>				
ROPE SEAL	DESCRIPTION				WT./EA.
	Gray Butyl Flat Tape on waterproof release paper Case of $\frac{3}{8}$ " x $\frac{3}{32}$ " (24 rolls x 50' long) 38.0# Roll of $\frac{3}{8}$ " x $\frac{3}{32}$ " x 50' long 1.5# Case of 1" x $\frac{3}{32}$ " (10 rolls x 50' long) 33.0# Roll of 1" x $\frac{3}{32}$ " x 50' long 3.3# Gray Double Bead Sealant on waterproof release paper Case of $\frac{7}{8}$ " x $\frac{3}{16}$ " (24 rolls x 25' long) 15.0# Roll of $\frac{7}{8}$ " x $\frac{3}{16}$ " x 25' long 0.7# Gray Triple Bead Sealant on waterproof release paper Case of 2 $\frac{1}{2}$ " x $\frac{3}{16}$ " (6 rolls x 20' long) 21.0# Roll of 2 $\frac{1}{2}$ " x $\frac{3}{16}$ " x 20' long 3.5#				

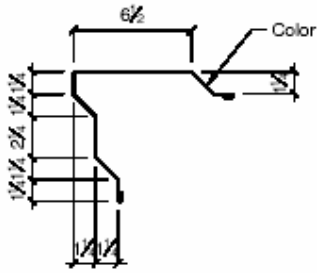
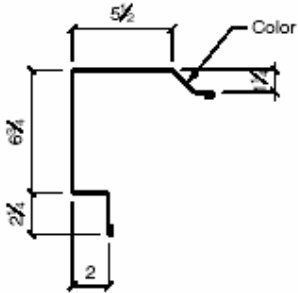


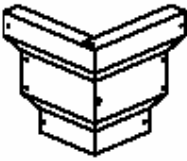
Metal Roofing and Siding Components

Typical Metal Building Trim

<p>SHADOW GUTTER</p> 	<table border="1"> <thead> <tr> <th>MAXIMUM LENGTH</th> <th>GAUGE</th> <th>GIRTH</th> <th>WT./FT.</th> </tr> </thead> <tbody> <tr> <td>20'-3</td> <td>26</td> <td>20½"</td> <td>1.4#</td> </tr> </tbody> </table>	MAXIMUM LENGTH	GAUGE	GIRTH	WT./FT.	20'-3	26	20½"	1.4#				
MAXIMUM LENGTH	GAUGE	GIRTH	WT./FT.										
20'-3	26	20½"	1.4#										
<p>GUTTER STRAP</p> 	<table border="1"> <thead> <tr> <th>LENGTH</th> <th>GAUGE</th> <th>GIRTH</th> <th>WT./EA.</th> </tr> </thead> <tbody> <tr> <td>0'-9</td> <td>26</td> <td>5⅝"</td> <td>0.2#</td> </tr> <tr> <td>1'-4</td> <td>26</td> <td>5⅝"</td> <td>0.4#</td> </tr> </tbody> </table> <p>Use with 100 Series Gutter.</p>	LENGTH	GAUGE	GIRTH	WT./EA.	0'-9	26	5⅝"	0.2#	1'-4	26	5⅝"	0.4#
LENGTH	GAUGE	GIRTH	WT./EA.										
0'-9	26	5⅝"	0.2#										
1'-4	26	5⅝"	0.4#										
<p>BOX GUTTER</p> 	<table border="1"> <thead> <tr> <th>MAXIMUM LENGTH</th> <th>GAUGE</th> <th>GIRTH</th> <th>WT./FT.</th> </tr> </thead> <tbody> <tr> <td>20'-3</td> <td>26</td> <td>20½"</td> <td>1.4#</td> </tr> </tbody> </table> <p>Use GS-201 Gutter Support Strip, 1" wide x 1'-0" long (26 Gauge). All colors, \$0.20 each.</p>	MAXIMUM LENGTH	GAUGE	GIRTH	WT./FT.	20'-3	26	20½"	1.4#				
MAXIMUM LENGTH	GAUGE	GIRTH	WT./FT.										
20'-3	26	20½"	1.4#										
<p>GUTTER COUNTER FLASHING</p> 	<table border="1"> <thead> <tr> <th>MAXIMUM LENGTH</th> <th>GAUGE</th> <th>GIRTH</th> <th>WT./FT.</th> </tr> </thead> <tbody> <tr> <td>GC-10 _</td> <td>10'-3</td> <td>26</td> <td>5⅝"</td> <td>0.4#</td> </tr> </tbody> </table> <p>Specify Roof Slope Here</p> <p>Recommended for use with Shadow Gutter.</p>	MAXIMUM LENGTH	GAUGE	GIRTH	WT./FT.	GC-10 _	10'-3	26	5⅝"	0.4#			
MAXIMUM LENGTH	GAUGE	GIRTH	WT./FT.										
GC-10 _	10'-3	26	5⅝"	0.4#									
<p>GUTTER END CAPS</p> 	<table border="1"> <thead> <tr> <th>GAUGE</th> <th>WT./EA.</th> </tr> </thead> <tbody> <tr> <td>26</td> <td>0.2#</td> </tr> <tr> <td>26</td> <td>0.2#</td> </tr> </tbody> </table> <p>Specify Roof Slope Here</p>	GAUGE	WT./EA.	26	0.2#	26	0.2#						
GAUGE	WT./EA.												
26	0.2#												
26	0.2#												

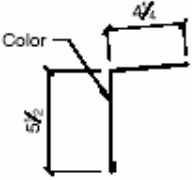
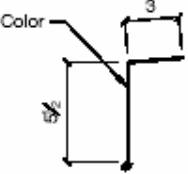
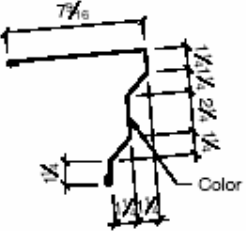
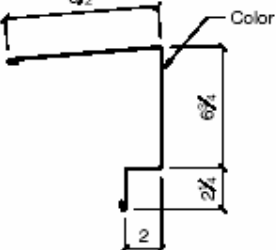
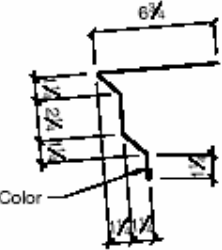
Metal Roofing and Siding Components

Typical Metal Building Trim

<p style="text-align: center;">SHADOW RAKE TRIM</p> 	<table border="1" style="width: 100%; border-collapse: collapse;"> <thead> <tr style="background-color: #cccccc;"> <th style="text-align: center;">MAXIMUM LENGTH</th> <th style="text-align: center;">GAUGE</th> <th style="text-align: center;">GIRTH</th> <th style="text-align: center;">WT./FT.</th> </tr> </thead> <tbody> <tr> <td style="text-align: center;">20'-3</td> <td style="text-align: center;">26</td> <td style="text-align: center;">18 1/2"</td> <td style="text-align: center;">1.1#</td> </tr> </tbody> </table>	MAXIMUM LENGTH	GAUGE	GIRTH	WT./FT.	20'-3	26	18 1/2"	1.1#
MAXIMUM LENGTH	GAUGE	GIRTH	WT./FT.						
20'-3	26	18 1/2"	1.1#						
<p style="text-align: center;">BOX RAKE TRIM</p> 	<table border="1" style="width: 100%; border-collapse: collapse;"> <thead> <tr style="background-color: #cccccc;"> <th style="text-align: center;">MAXIMUM LENGTH</th> <th style="text-align: center;">GAUGE</th> <th style="text-align: center;">GIRTH</th> <th style="text-align: center;">WT./FT.</th> </tr> </thead> <tbody> <tr> <td style="text-align: center;">20'-3</td> <td style="text-align: center;">26</td> <td style="text-align: center;">20 1/2"</td> <td style="text-align: center;">1.3#</td> </tr> </tbody> </table>	MAXIMUM LENGTH	GAUGE	GIRTH	WT./FT.	20'-3	26	20 1/2"	1.3#
MAXIMUM LENGTH	GAUGE	GIRTH	WT./FT.						
20'-3	26	20 1/2"	1.3#						
<p style="text-align: center;">RAKE END CAPS</p> <div style="display: flex; justify-content: space-around; align-items: center;"> <div style="text-align: center;">  <p>SREC</p> </div> <div style="text-align: center;">  <p>BREC</p> </div> </div>	<table border="1" style="width: 100%; border-collapse: collapse;"> <thead> <tr style="background-color: #cccccc;"> <th style="text-align: center;">GAUGE</th> <th style="text-align: center;">WT./EA.</th> </tr> </thead> <tbody> <tr> <td style="text-align: center;">26</td> <td style="text-align: center;">0.2#</td> </tr> <tr> <td style="text-align: center;">26</td> <td style="text-align: center;">0.2#</td> </tr> <tr> <td style="text-align: center;">26</td> <td style="text-align: center;">0.2#</td> </tr> </tbody> </table>	GAUGE	WT./EA.	26	0.2#	26	0.2#	26	0.2#
GAUGE	WT./EA.								
26	0.2#								
26	0.2#								
26	0.2#								
<p style="text-align: center;">SHADOW CORNER BOX</p> 	<table border="1" style="width: 100%; border-collapse: collapse;"> <thead> <tr style="background-color: #cccccc;"> <th style="text-align: center;">GAUGE</th> <th style="text-align: center;">WT./EA.</th> </tr> </thead> <tbody> <tr> <td style="text-align: center;">26</td> <td style="text-align: center;">0.5#</td> </tr> </tbody> </table>	GAUGE	WT./EA.	26	0.5#				
GAUGE	WT./EA.								
26	0.5#								

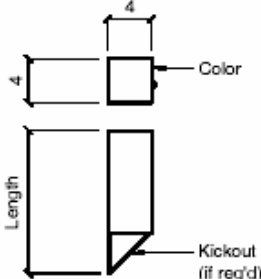
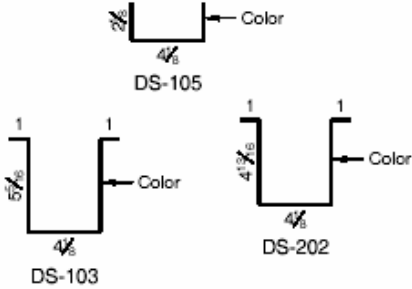
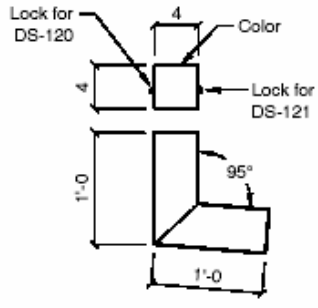
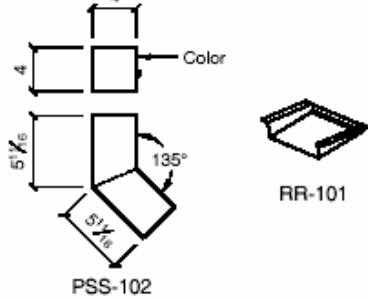
Metal Roofing and Siding Components

Typical Metal Building Trim

<p>SIMPLE EAVE TRIM</p> 	<table border="1"> <thead> <tr> <th>MAXIMUM LENGTH</th> <th>GAUGE</th> <th>GIRTH</th> <th>WT./FT.</th> </tr> </thead> <tbody> <tr> <td>20'-3</td> <td>26</td> <td>10 1/4"</td> <td>0.8#</td> </tr> </tbody> </table>	MAXIMUM LENGTH	GAUGE	GIRTH	WT./FT.	20'-3	26	10 1/4"	0.8#
MAXIMUM LENGTH	GAUGE	GIRTH	WT./FT.						
20'-3	26	10 1/4"	0.8#						
<p>EAVE DRIP TRIM</p> 	<table border="1"> <thead> <tr> <th>MAXIMUM LENGTH</th> <th>GAUGE</th> <th>GIRTH</th> <th>WT./FT.</th> </tr> </thead> <tbody> <tr> <td>20'-3</td> <td>26</td> <td>9 1/4"</td> <td>0.6#</td> </tr> </tbody> </table>	MAXIMUM LENGTH	GAUGE	GIRTH	WT./FT.	20'-3	26	9 1/4"	0.6#
MAXIMUM LENGTH	GAUGE	GIRTH	WT./FT.						
20'-3	26	9 1/4"	0.6#						
<p>HIGH SIDE SHADOW EAVE TRIM</p> 	<table border="1"> <thead> <tr> <th>MAXIMUM LENGTH</th> <th>GAUGE</th> <th>GIRTH</th> <th>WT./FT.</th> </tr> </thead> <tbody> <tr> <td>20'-3</td> <td>26</td> <td>16 1/8"</td> <td>1.1#</td> </tr> </tbody> </table>	MAXIMUM LENGTH	GAUGE	GIRTH	WT./FT.	20'-3	26	16 1/8"	1.1#
MAXIMUM LENGTH	GAUGE	GIRTH	WT./FT.						
20'-3	26	16 1/8"	1.1#						
<p>HIGH SIDE BOX EAVE TRIM</p> 	<table border="1"> <thead> <tr> <th>MAXIMUM LENGTH</th> <th>GAUGE</th> <th>GIRTH</th> <th>WT./FT.</th> </tr> </thead> <tbody> <tr> <td>20'-3</td> <td>26</td> <td>20 1/2"</td> <td>1.4#</td> </tr> </tbody> </table>	MAXIMUM LENGTH	GAUGE	GIRTH	WT./FT.	20'-3	26	20 1/2"	1.4#
MAXIMUM LENGTH	GAUGE	GIRTH	WT./FT.						
20'-3	26	20 1/2"	1.4#						
<p>LOW SIDE SHADOW EAVE TRIM</p> 	<table border="1"> <thead> <tr> <th>MAXIMUM LENGTH</th> <th>GAUGE</th> <th>GIRTH</th> <th>WT./FT.</th> </tr> </thead> <tbody> <tr> <td>20'-3</td> <td>26</td> <td>14 1/4"</td> <td>1.0#</td> </tr> </tbody> </table>	MAXIMUM LENGTH	GAUGE	GIRTH	WT./FT.	20'-3	26	14 1/4"	1.0#
MAXIMUM LENGTH	GAUGE	GIRTH	WT./FT.						
20'-3	26	14 1/4"	1.0#						

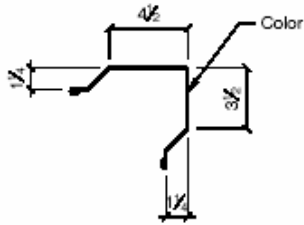
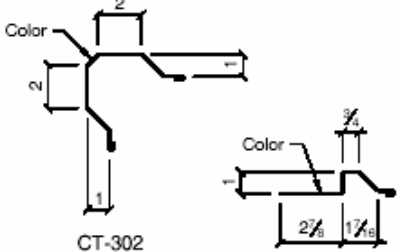
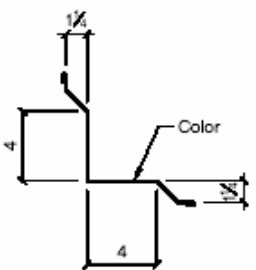
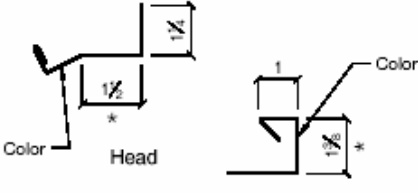
Metal Roofing and Siding Components

Typical Metal Building Trim

DOWNSPOUT	MAXIMUM LENGTH	GAUGE	GIRTH	WT./FT.
 <p>4</p> <p>4</p> <p>Color</p> <p>Length</p> <p>Kickout (if req'd)</p>	20'-3	26	16 ¹³ / ₁₆ "	1.1#
Specify with or without kickout				
DOWNSPOUT STRAPS	GAUGE		WT./EA.	
 <p>2¹/₈</p> <p>4¹/₈</p> <p>Color</p> <p>DS-105</p> <p>1</p> <p>1</p> <p>5¹/₈</p> <p>4¹/₈</p> <p>Color</p> <p>DS-103</p> <p>1</p> <p>1</p> <p>4¹/₈</p> <p>4¹/₈</p> <p>Color</p> <p>DS-202</p>	26	26	26	0.2#
	26	26	26	0.1#
	26	26	26	0.1#
DOWNSPOUT ELBOW	GAUGE		WT./EA.	
 <p>Lock for DS-120</p> <p>4</p> <p>Color</p> <p>4</p> <p>Lock for DS-121</p> <p>1'-0</p> <p>95°</p> <p>1'-0</p>	26	26	16 ¹³ / ₁₆ "	2.0#
	26	26	16 ¹³ / ₁₆ "	2.0#
PIG SPOUT and SCUPPER	GAUGE		WT./EA.	
 <p>4</p> <p>4</p> <p>Color</p> <p>5¹/₈</p> <p>135°</p> <p>5¹/₈</p> <p>PSS-102</p> <p>RR-101</p>	26	26	16 ¹³ / ₁₆ "	0.9#
	26	26	16 ¹³ / ₁₆ "	0.2#

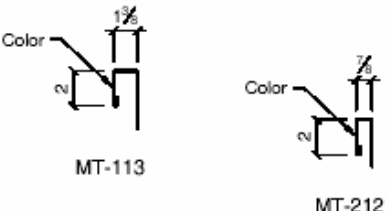
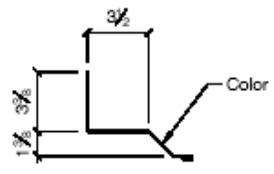
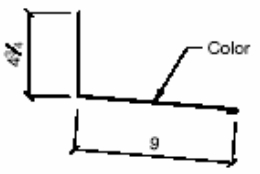
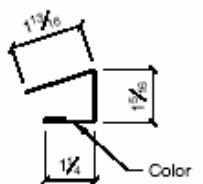
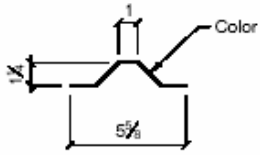
Metal Roofing and Siding Components

Typical Metal Building Trim

OUTSIDE CORNER TRIM	MAXIMUM LENGTH	GAUGE	GIRTH	WT./FT.
 <p>CT-102 shown above</p>	20'-3	26	14 1/4"	1.0# (Can be used for both Super Span or Low Rib panels)
	20'-3	26	12 7/8"	0.8# (Low Rib panels only)
MONARCH OUTSIDE CORNER TRIM	MAXIMUM LENGTH	GAUGE	GIRTH	WT./FT.
 <p>CT-302</p> <p>MT-815</p>	20'-3	26	10 5/8"	0.6# (One piece required at each corner)
	20'-3	26	7 1/8"	0.5# (2 pieces required at each corner)
INSIDE CORNER TRIM	MAXIMUM LENGTH	GAUGE	GIRTH	WT./FT.
	20'-3	26	14 1/4"	1.0#
JAMB and HEAD TRIM (Whirlwind Building Systems Type)	MAXIMUM LENGTH	GAUGE	GIRTH	WT./FT.
 <p>Head</p> <p>Jamb</p> <p>* 1" on HT-202 & JT-202</p>	20'-3	26	4 7/8"	0.3# (Can be used for Super Span, Low Rib, or Monarch panels)
	20'-3	26	4 7/8"	0.3# (Low Rib panels only)
	20'-3	26	4 7/8"	0.3# (Can be used for Super Span, Low Rib, or Monarch panels)
	20'-3	26	4 7/8"	0.3# (Low Rib panels only)

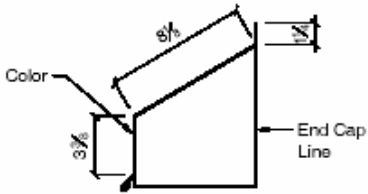
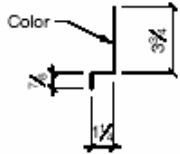
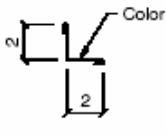
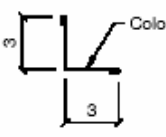
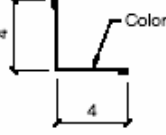
Metal Roofing and Siding Components

Typical Metal Building Trim

<p style="text-align: center;">CAP TRIM</p>  <p style="text-align: center;">MT-113</p> <p style="text-align: center;">MT-212</p>	<table border="1"> <thead> <tr> <th>LENGTH</th> <th>GAUGE</th> <th>GIRTH</th> <th>WT./FT.</th> </tr> </thead> <tbody> <tr> <td>20'-3</td> <td>26</td> <td>7$\frac{1}{8}$"</td> <td>0.5#</td> </tr> <tr> <td>20'-3</td> <td>26</td> <td>5$\frac{1}{8}$"</td> <td>0.4#</td> </tr> </tbody> </table>	LENGTH	GAUGE	GIRTH	WT./FT.	20'-3	26	7 $\frac{1}{8}$ "	0.5#	20'-3	26	5 $\frac{1}{8}$ "	0.4#
LENGTH	GAUGE	GIRTH	WT./FT.										
20'-3	26	7 $\frac{1}{8}$ "	0.5#										
20'-3	26	5 $\frac{1}{8}$ "	0.4#										
<p style="text-align: center;">TRANSITION TRIM</p> 	<table border="1"> <thead> <tr> <th>MAXIMUM LENGTH</th> <th>GAUGE</th> <th>GIRTH</th> <th>WT./FT.</th> </tr> </thead> <tbody> <tr> <td>20'-3</td> <td>26</td> <td>10$\frac{5}{8}$"</td> <td>0.7#</td> </tr> </tbody> </table>	MAXIMUM LENGTH	GAUGE	GIRTH	WT./FT.	20'-3	26	10 $\frac{5}{8}$ "	0.7#				
MAXIMUM LENGTH	GAUGE	GIRTH	WT./FT.										
20'-3	26	10 $\frac{5}{8}$ "	0.7#										
<p style="text-align: center;">TRANSITION TRIM</p> 	<table border="1"> <thead> <tr> <th>MAXIMUM LENGTH</th> <th>GAUGE</th> <th>GIRTH</th> <th>WT./FT.</th> </tr> </thead> <tbody> <tr> <td>20'-3</td> <td>26</td> <td>14$\frac{1}{4}$"</td> <td>1.0#</td> </tr> </tbody> </table>	MAXIMUM LENGTH	GAUGE	GIRTH	WT./FT.	20'-3	26	14 $\frac{1}{4}$ "	1.0#				
MAXIMUM LENGTH	GAUGE	GIRTH	WT./FT.										
20'-3	26	14 $\frac{1}{4}$ "	1.0#										
<p style="text-align: center;">SOFFIT TRIM</p> 	<table border="1"> <thead> <tr> <th>LENGTH</th> <th>GAUGE</th> <th>GIRTH</th> <th>WT./EA.</th> </tr> </thead> <tbody> <tr> <td>10'-3</td> <td>26</td> <td>4$\frac{7}{8}$"</td> <td>3.1#</td> </tr> </tbody> </table>	LENGTH	GAUGE	GIRTH	WT./EA.	10'-3	26	4 $\frac{7}{8}$ "	3.1#				
LENGTH	GAUGE	GIRTH	WT./EA.										
10'-3	26	4 $\frac{7}{8}$ "	3.1#										
<p style="text-align: center;">UL580 CLASS 90 SKYLIGHT REINFORCEMENT TRIM</p> 	<table border="1"> <thead> <tr> <th>LENGTH</th> <th>GAUGE</th> <th>GIRTH</th> <th>WT./EA.</th> </tr> </thead> <tbody> <tr> <td>10'-6</td> <td>26</td> <td>7"</td> <td>4.5#</td> </tr> </tbody> </table> <p style="font-size: small;">Also used for insulation support around skylights.</p>	LENGTH	GAUGE	GIRTH	WT./EA.	10'-6	26	7"	4.5#				
LENGTH	GAUGE	GIRTH	WT./EA.										
10'-6	26	7"	4.5#										

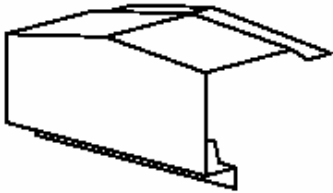
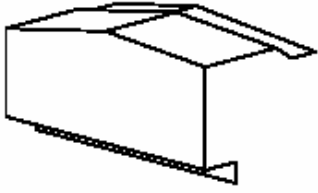
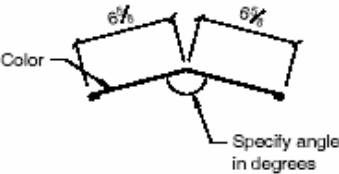

Metal Roofing and Siding Components

Typical Metal Building Trim

SLIDE DOOR HOOD TRIM	MAXIMUM LENGTH GAUGE GIRTH WT./FT.								
	<table border="1"> <tr> <td data-bbox="679 282 822 517">20'-3</td> <td data-bbox="822 282 922 517">26</td> <td data-bbox="922 282 1065 517">14 1/4"</td> <td data-bbox="1065 282 1202 517">1.0#</td> </tr> </table> <p data-bbox="685 492 1021 517">End caps for SD-102 trim. All colors, \$4.75 each.</p>	20'-3	26	14 1/4"	1.0#				
20'-3	26	14 1/4"	1.0#						
SLIDE DOOR HOOD FLASHING	MAXIMUM LENGTH GAUGE GIRTH WT./FT.								
	<table border="1"> <tr> <td data-bbox="679 575 822 811">20'-3</td> <td data-bbox="822 575 922 811">26</td> <td data-bbox="922 575 1065 811">5 7/8"</td> <td data-bbox="1065 575 1202 811">0.4#</td> </tr> </table>	20'-3	26	5 7/8"	0.4#				
20'-3	26	5 7/8"	0.4#						
2" x 2" ANGLE TRIM	MAXIMUM LENGTH GAUGE GIRTH WT./FT.								
	<table border="1"> <tr> <td data-bbox="679 869 822 1004">20'-3</td> <td data-bbox="822 869 922 1004">26</td> <td data-bbox="922 869 1065 1004">5"</td> <td data-bbox="1065 869 1202 1004">0.3#</td> </tr> <tr> <td data-bbox="679 1004 822 1105">20'-3</td> <td data-bbox="822 1004 922 1105">26</td> <td data-bbox="922 1004 1065 1105">5"</td> <td data-bbox="1065 1004 1202 1105">0.3#</td> </tr> </table>	20'-3	26	5"	0.3#	20'-3	26	5"	0.3#
20'-3	26	5"	0.3#						
20'-3	26	5"	0.3#						
3" x 3" ANGLE TRIM	MAXIMUM LENGTH GAUGE GIRTH WT./FT.								
	<table border="1"> <tr> <td data-bbox="679 1163 822 1298">20'-3</td> <td data-bbox="822 1163 922 1298">26</td> <td data-bbox="922 1163 1065 1298">7"</td> <td data-bbox="1065 1163 1202 1298">0.5#</td> </tr> <tr> <td data-bbox="679 1298 822 1398">20'-3</td> <td data-bbox="822 1298 922 1398">26</td> <td data-bbox="922 1298 1065 1398">7"</td> <td data-bbox="1065 1298 1202 1398">0.5#</td> </tr> </table>	20'-3	26	7"	0.5#	20'-3	26	7"	0.5#
20'-3	26	7"	0.5#						
20'-3	26	7"	0.5#						
4" x 4" ANGLE TRIM	MAXIMUM LENGTH GAUGE GIRTH WT./FT.								
	<table border="1"> <tr> <td data-bbox="679 1456 822 1591">20'-3</td> <td data-bbox="822 1456 922 1591">26</td> <td data-bbox="922 1456 1065 1591">9"</td> <td data-bbox="1065 1456 1202 1591">0.6#</td> </tr> <tr> <td data-bbox="679 1591 822 1692">20'-3</td> <td data-bbox="822 1591 922 1692">26</td> <td data-bbox="922 1591 1065 1692">9"</td> <td data-bbox="1065 1591 1202 1692">0.6#</td> </tr> </table>	20'-3	26	9"	0.6#	20'-3	26	9"	0.6#
20'-3	26	9"	0.6#						
20'-3	26	9"	0.6#						

Metal Roofing and Siding Components

Typical Metal Building Trim

<p>SHADOW PEAK BOX</p> 	<p>GAUGE WT./EA.</p>	
<p>BOX TRIM PEAK BOX</p> 	<p>GAUGE WT./EA.</p>	
<p>HIP TRIM</p> 	<p>MAXIMUM LENGTH GAUGE GIRTH WT./FT.</p>	
<p>VALLEY TRIM</p> 	<p>MAXIMUM LENGTH GAUGE GIRTH WT./FT.</p>	
	<p>Angle in degrees must be specified (See page TR-14).</p>	

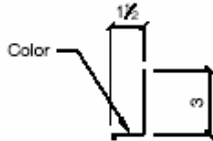
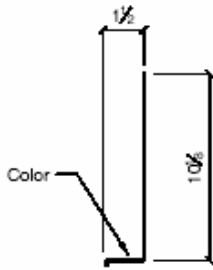
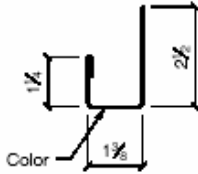
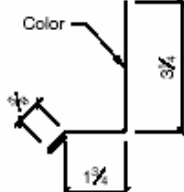
If logo is desired on Peak Box, please specify.

If logo is desired on Peak Box, please specify.

Bevel angle in degrees must be specified (See page TR-14).

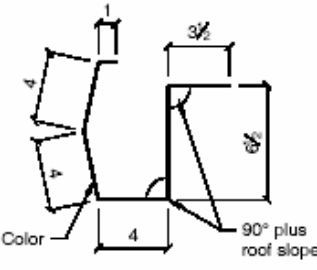
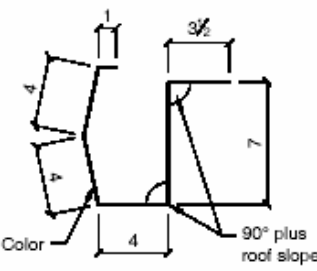
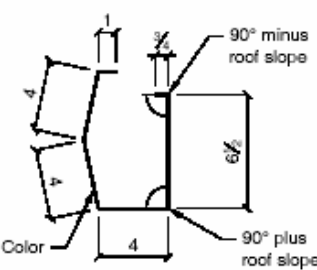
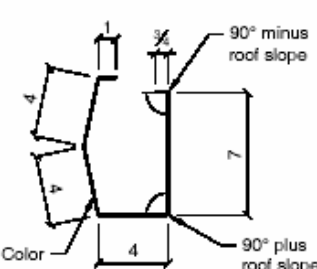
Metal Roofing and Siding Components

Typical Metal Building Trim

<p>STANDARD BASE TRIM</p> 	<table border="1"> <thead> <tr> <th>MAXIMUM LENGTH</th> <th>GAUGE</th> <th>GIRTH</th> <th>WT./FT.</th> </tr> </thead> <tbody> <tr> <td>20'-3</td> <td>26</td> <td>4 7/8"</td> <td>0.3#</td> </tr> </tbody> </table> <p>Use with base angle and/or base channel.</p>	MAXIMUM LENGTH	GAUGE	GIRTH	WT./FT.	20'-3	26	4 7/8"	0.3#
MAXIMUM LENGTH	GAUGE	GIRTH	WT./FT.						
20'-3	26	4 7/8"	0.3#						
<p>STANDARD BASE TRIM</p> 	<table border="1"> <thead> <tr> <th>MAXIMUM LENGTH</th> <th>GAUGE</th> <th>GIRTH</th> <th>WT./FT.</th> </tr> </thead> <tbody> <tr> <td>20'-3</td> <td>26</td> <td>12"</td> <td>0.7#</td> </tr> </tbody> </table> <p>Use with base girt.</p>	MAXIMUM LENGTH	GAUGE	GIRTH	WT./FT.	20'-3	26	12"	0.7#
MAXIMUM LENGTH	GAUGE	GIRTH	WT./FT.						
20'-3	26	12"	0.7#						
<p>HEAD TRIM (Competitor's Type)</p> 	<table border="1"> <thead> <tr> <th>MAXIMUM LENGTH</th> <th>GAUGE</th> <th>GIRTH</th> <th>WT./FT.</th> </tr> </thead> <tbody> <tr> <td>20'-3</td> <td>26</td> <td>5 1/2"</td> <td>0.4#</td> </tr> </tbody> </table> <p>Matches trim FL-24, FL-25, FL-26, FL-26B, AND FL-26C.</p>	MAXIMUM LENGTH	GAUGE	GIRTH	WT./FT.	20'-3	26	5 1/2"	0.4#
MAXIMUM LENGTH	GAUGE	GIRTH	WT./FT.						
20'-3	26	5 1/2"	0.4#						
<p>BASE TRIM (Competitor's Type)</p> 	<table border="1"> <thead> <tr> <th>MAXIMUM LENGTH</th> <th>GAUGE</th> <th>GIRTH</th> <th>WT./FT.</th> </tr> </thead> <tbody> <tr> <td>20'-3</td> <td>26</td> <td>6 1/8"</td> <td>0.4#</td> </tr> </tbody> </table>	MAXIMUM LENGTH	GAUGE	GIRTH	WT./FT.	20'-3	26	6 1/8"	0.4#
MAXIMUM LENGTH	GAUGE	GIRTH	WT./FT.						
20'-3	26	6 1/8"	0.4#						


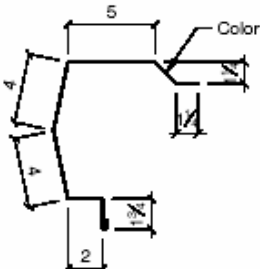

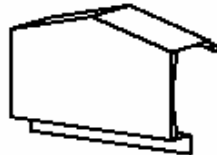

Metal Roofing and Siding Components

Typical Metal Building Trim

<p>EAVE GUTTER ~ $\frac{1}{2}$ - 4:12 ROOF SLOPE (Competitor's Type)</p> 	<table border="1"> <thead> <tr> <th>MAXIMUM LENGTH</th> <th>GAUGE</th> <th>GIRTH</th> <th>WT./FT.</th> </tr> </thead> <tbody> <tr> <td>20'-3</td> <td>26</td> <td>23"</td> <td>1.4#</td> </tr> </tbody> </table> <p>For Super Span roof panel. Specify roof slope. Matches trim FL-18 and FL-18B.</p>	MAXIMUM LENGTH	GAUGE	GIRTH	WT./FT.	20'-3	26	23"	1.4#
MAXIMUM LENGTH	GAUGE	GIRTH	WT./FT.						
20'-3	26	23"	1.4#						
<p>EAVE GUTTER ~ $4\frac{1}{8}$ - 6:12 ROOF SLOPE (Competitor's Type)</p> 	<table border="1"> <thead> <tr> <th>MAXIMUM LENGTH</th> <th>GAUGE</th> <th>GIRTH</th> <th>WT./EA.</th> </tr> </thead> <tbody> <tr> <td>20'-3</td> <td>26</td> <td>23$\frac{1}{2}$"</td> <td>1.4#</td> </tr> </tbody> </table> <p>For Super Span roof panel. Specify roof slope. Matches trim FL-18H and FL-18J.</p>	MAXIMUM LENGTH	GAUGE	GIRTH	WT./EA.	20'-3	26	23 $\frac{1}{2}$ "	1.4#
MAXIMUM LENGTH	GAUGE	GIRTH	WT./EA.						
20'-3	26	23 $\frac{1}{2}$ "	1.4#						
<p>EAVE GUTTER ~ $\frac{1}{2}$ - 4:12 ROOF SLOPE (Competitor's Type)</p> 	<table border="1"> <thead> <tr> <th>MAXIMUM LENGTH</th> <th>GAUGE</th> <th>GIRTH</th> <th>WT./EA.</th> </tr> </thead> <tbody> <tr> <td>20'-3</td> <td>26</td> <td>20$\frac{1}{2}$"</td> <td>1.2#</td> </tr> </tbody> </table> <p>For Super Span roof panel. Specify roof slope. Matches trim FL-18C and FL-18D.</p>	MAXIMUM LENGTH	GAUGE	GIRTH	WT./EA.	20'-3	26	20 $\frac{1}{2}$ "	1.2#
MAXIMUM LENGTH	GAUGE	GIRTH	WT./EA.						
20'-3	26	20 $\frac{1}{2}$ "	1.2#						
<p>EAVE GUTTER ~ $4\frac{1}{8}$ - 6:12 ROOF SLOPE (Competitor's Type)</p> 	<table border="1"> <thead> <tr> <th>MAXIMUM LENGTH</th> <th>GAUGE</th> <th>GIRTH</th> <th>WT./EA.</th> </tr> </thead> <tbody> <tr> <td>20'-3</td> <td>26</td> <td>20$\frac{1}{2}$"</td> <td>1.3#</td> </tr> </tbody> </table> <p>For Super Span roof panel. Specify roof slope. Matches trim FL-18F and FL-18G.</p>	MAXIMUM LENGTH	GAUGE	GIRTH	WT./EA.	20'-3	26	20 $\frac{1}{2}$ "	1.3#
MAXIMUM LENGTH	GAUGE	GIRTH	WT./EA.						
20'-3	26	20 $\frac{1}{2}$ "	1.3#						

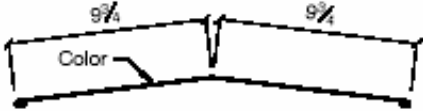
Metal Roofing and Siding Components


Typical Metal Building Trim

<p>GUTTER END CAP (Competitor's Type)</p> 	<table border="1"> <thead> <tr> <th></th> <th>GAUGE</th> <th>WT./EA.</th> </tr> </thead> <tbody> <tr> <td></td> <td>26</td> <td>1.1#</td> </tr> <tr> <td colspan="3"> <small>For Gutter FL-18B, FL-18J, FL-18D, or FL-18G. Specify roof slope.</small> </td> </tr> </tbody> </table>		GAUGE	WT./EA.		26	1.1#	<small>For Gutter FL-18B, FL-18J, FL-18D, or FL-18G. Specify roof slope.</small>								
	GAUGE	WT./EA.														
	26	1.1#														
<small>For Gutter FL-18B, FL-18J, FL-18D, or FL-18G. Specify roof slope.</small>																
<p>RAKE TRIM (Competitor's Type)</p> 	<table border="1"> <thead> <tr> <th></th> <th>MAXIMUM LENGTH</th> <th>GAUGE</th> <th>GIRTH</th> <th>WT./FT.</th> </tr> </thead> <tbody> <tr> <td></td> <td>20'-3"</td> <td>26</td> <td>20$\frac{1}{2}$"*</td> <td>1.3#</td> </tr> <tr> <td colspan="5"> <small>For Super Span roof panel. Matches trim FL-16 and FL-16D.</small> </td> </tr> </tbody> </table>		MAXIMUM LENGTH	GAUGE	GIRTH	WT./FT.		20'-3"	26	20 $\frac{1}{2}$ "*	1.3#	<small>For Super Span roof panel. Matches trim FL-16 and FL-16D.</small>				
	MAXIMUM LENGTH	GAUGE	GIRTH	WT./FT.												
	20'-3"	26	20 $\frac{1}{2}$ "*	1.3#												
<small>For Super Span roof panel. Matches trim FL-16 and FL-16D.</small>																
<p>RAKE END (Competitor's Type)</p> 	<table border="1"> <thead> <tr> <th></th> <th>GAUGE</th> <th>WT./EA.</th> </tr> </thead> <tbody> <tr> <td></td> <td>26</td> <td>0.1#</td> </tr> <tr> <td colspan="3"> <small>For Rake FL-16.</small> </td> </tr> </tbody> </table>		GAUGE	WT./EA.		26	0.1#	<small>For Rake FL-16.</small>								
	GAUGE	WT./EA.														
	26	0.1#														
<small>For Rake FL-16.</small>																
<p>PEAK BOX (Competitor's Type)</p> 	<table border="1"> <thead> <tr> <th></th> <th>GAUGE</th> <th>WT./EA.</th> </tr> </thead> <tbody> <tr> <td></td> <td>26</td> <td>3.0#</td> </tr> <tr> <td colspan="3"> <small>For Rake FL-16. Specify roof slope.</small> </td> </tr> </tbody> </table>		GAUGE	WT./EA.		26	3.0#	<small>For Rake FL-16. Specify roof slope.</small>								
	GAUGE	WT./EA.														
	26	3.0#														
<small>For Rake FL-16. Specify roof slope.</small>																
<p>CORNER BOX (Competitor's Type)</p> 	<table border="1"> <thead> <tr> <th></th> <th>GAUGE</th> <th>WT./EA.</th> </tr> </thead> <tbody> <tr> <td></td> <td>26</td> <td>3.0#</td> </tr> <tr> <td></td> <td>26</td> <td>3.0#</td> </tr> <tr> <td colspan="3"> <small>For Rake FL-16. Specify roof slope.</small> </td> </tr> </tbody> </table>		GAUGE	WT./EA.		26	3.0#		26	3.0#	<small>For Rake FL-16. Specify roof slope.</small>					
	GAUGE	WT./EA.														
	26	3.0#														
	26	3.0#														
<small>For Rake FL-16. Specify roof slope.</small>																

Metal Roofing and Siding Components

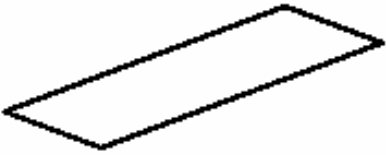
Typical Metal Building Trim

RIDGE ROLL TRIM	MAXIMUM LENGTH	GAUGE	GIRTH	WT./FT.
	12'-3	26	20 1/2"	1.4#
<p>Ridge Roll Skid \$30.00 LTL Skid \$50.00 Maximum 100 pieces per skid</p>				

DIE-FORMED RIDGE CAP	GAUGE	LENGTH	WT./EA.
	26	2'-7	7.0#
<p>LTL Skid \$25.00 Super Span ridge cap shown above</p>	26	2'-7	7.0#
	26	3'-0	8.1#
	26	3'-0	8.1#

Metal Roofing and Siding Components

Typical Metal Building Trim

FLAT TRIM SHEETS (ASTM A792, Grade 50 Material)	FINISH	LENGTH	GAUGE	WIDTH	WT./EA.
	Acrylic-Coated GALVALUME®	10'-0	26	41 $\frac{3}{8}$ "	28.0#
	Poly Polar White	10'-0	26	41 $\frac{3}{8}$ "	28.0#
	SMP Colors	10'-0	26	41 $\frac{3}{8}$ "	28.0#
	KYN Colors	10'-0	26	41 $\frac{3}{8}$ "	28.0#
	Acrylic-Coated GALVALUME®	10'-0	24	42 $\frac{3}{4}$ "	35.1#
	KYN Colors	10'-0	24	42 $\frac{3}{4}$ "	35.1#
	Acrylic-Coated GALVALUME®	10'-0	22	41 $\frac{3}{8}$ "	43.0#
	Acrylic-Coated GALVALUME®	10'-0	22	48"	50.0#
	Poly Polar White	10'-0	22	41 $\frac{3}{8}$ "	43.0#
	Flat Sheet Skid: Up to 14'-2" ~ \$35.00 LTL Skid \$50.00 For Protective Masking Film Add \$3.25 per Sheet				

Metal Roofing and Siding Components

Typical Metal Building Trim

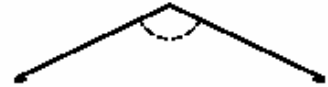
ANGLE CHART FOR ROOF LINE TRIM



Hip



Valley



Ridge



Gutter



Transition



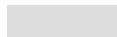
Inside

	Roof Slope											
	1:12	2:12	3:12	4:12	5:12	6:12	7:12	8:12	9:12	10:12	11:12	12:12
Hip	173°	166°	160°	154°	148°	143°	138°	133°	129°	126°	123°	120°
Valley	117°	113°	110°	107°	104°	102°	99°	97°	95°	93°	92°	90°
Ridge	170°	161°	152°	143°	135°	127°	120°	113°	106°	100°	95°	90°
Gutter and Transition	94°	99°	104°	108°	112°	116°	120°	123°	126°	129°	132°	135°
Inside	86°	81°	76°	72°	68°	64°	60°	57°	54°	51°	48°	45°

This chart assumes the roof slopes are the same on both sides of the hip, valley, or ridge line.
Contact your salesperson if the roof slopes are different.

Metal Roofing and Siding Components Structural Shapes


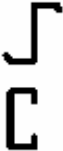
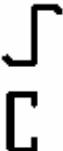
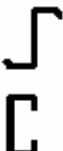
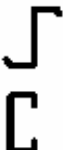
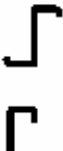
- **Cee**
- **Zee**
 - **Hat Section**
 - **Suv Gerts**
- **Open Channel Eave Strut**
 - **Angle**
 - **Connection Clips**
 - **Square Tubing**
 - **Round Tubing**
 - **End Plates**
 - **Brace Rods**



Metal Roofing and Siding Components

Structural Shapes


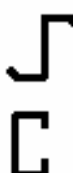

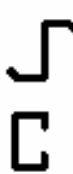

Roll-Formed Secondary Members

SIZE & DESCRIPTION	FINISH	GAUGE/MIN THICKNESS	WT./FT.
 14" x $3\frac{3}{8}$ " x $3\frac{5}{8}$ " Unequal Flange Zee or 14" x 4" Cee	Red-Oxide	12 / .100"	8.19#
	Galvanized	12 / .102"	8.35#
 12" x $3\frac{3}{8}$ " x $3\frac{3}{8}$ " Unequal Flange Zee or 12" x $3\frac{1}{2}$ " Cee	Red-Oxide	14 / .067"	4.77#
	Red-Oxide	12 / .100"	7.12#
	Galvanized	14 / .069"	4.91#
	Galvanized	12 / .102"	7.26#
 12" x $2\frac{3}{8}$ " x $2\frac{1}{8}$ " Unequal Flange Zee or 12" x $2\frac{1}{2}$ " Cee	Red-Oxide	14 / .067"	4.29#
	Red-Oxide	12 / .100"	6.40#
	Galvanized	14 / .069"	4.42#
	Galvanized	12 / .102"	6.53#
 10" x $3\frac{3}{8}$ " x $3\frac{3}{8}$ " Unequal Flange Zee or 10" x $3\frac{1}{2}$ " Cee	Red-Oxide	14 / .067"	4.29#
	Red-Oxide	12 / .100"	6.40#
	Galvanized	14 / .069"	4.42#
	Galvanized	12 / .102"	6.53#
 10" x $2\frac{3}{8}$ " x $2\frac{1}{8}$ " Unequal Flange Zee or 10" x $2\frac{1}{2}$ " Cee	Red-Oxide	16 / .056"	3.19#
	Red-Oxide	14 / .067"	3.81#
	Red-Oxide	12 / .100"	5.69#
	Galvanized	16 / .058"	3.30#
	Galvanized	14 / .069"	3.93#
	Galvanized	12 / .102"	5.80#
 8" x $3\frac{3}{8}$ " x $3\frac{3}{8}$ " Unequal Flange Zee or 8" x $3\frac{1}{2}$ " Cee	Red-Oxide	16 / .056"	3.19#
	Red-Oxide	14 / .067"	3.81#
	Red-Oxide	12 / .100"	5.69#
	Galvanized	16 / .058"	3.30#
	Galvanized	14 / .069"	3.93#
	Galvanized	12 / .102"	5.80#

Metal Roofing and Siding Components

Structural Shapes

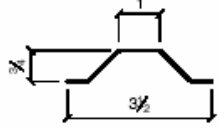
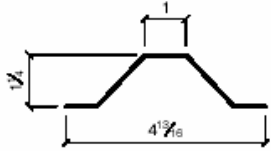
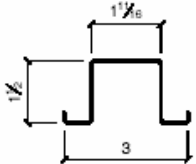
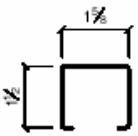
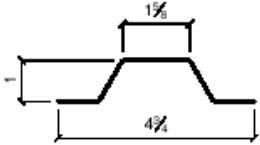
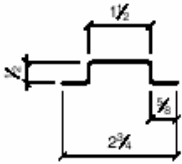
Roll-Formed Secondary Members

SIZE & DESCRIPTION	FINISH	GAUGE/MIN THICKNESS	WT./FT.
 <p>8" x 2$\frac{3}{8}$" x 2$\frac{1}{8}$" Unequal Flange Zee or 8" x 2$\frac{1}{2}$" Cee</p>	Red-Oxide	16 / .056"	2.79#
	Red-Oxide	14 / .067"	3.33#
	Red-Oxide	12 / .100"	4.98#
	Galvanized	16 / .058"	2.98#
	Galvanized	14 / .069"	3.43#
	Galvanized	12 / .102"	5.08#
 <p>6" x 2$\frac{3}{8}$" x 2$\frac{1}{8}$" Unequal Flange Zee or 6" x 2$\frac{1}{2}$" Cee</p>	Red-Oxide	16 / .056"	2.39#
	Red-Oxide	14 / .067"	2.86#
	Galvanized	16 / .058"	2.47#
	Galvanized	14 / .069"	2.94#
 <p>4" x 2$\frac{3}{8}$" x 2$\frac{1}{8}$" Unequal Flange Zee or 4" x 2$\frac{1}{2}$" Cee</p>	Red-Oxide	16 / .056"	1.99#
	Red-Oxide	14 / .067"	2.38#
	Galvanized	16 / .058"	2.06#
	Galvanized	14 / .069"	2.45#
 <p>4" x 2" x 2" Equal Flange Zee or 4" x 2" Cee</p>	Red-Oxide	16 / .056"	1.79#
	Red-Oxide	14 / .067"	2.14#
	Galvanized	16 / .058"	1.85#
	Galvanized	14 / .069"	2.20#
 <p>3" x 1$\frac{1}{2}$" x 1$\frac{1}{2}$" Equal Flange Zee</p>	Red-Oxide	16 / .056"	1.39#
	Red-Oxide	14 / .067"	1.66#
	Galvanized	16 / .058"	1.44#
	Galvanized	14 / .069"	1.71#

Metal Roofing and Siding Components

Structural Shapes

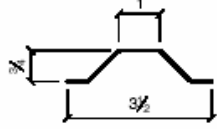
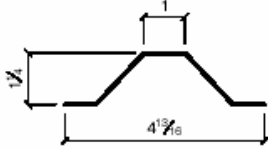
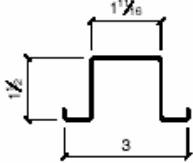
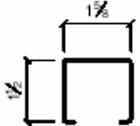
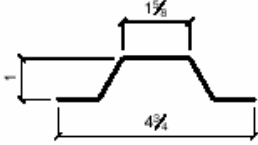
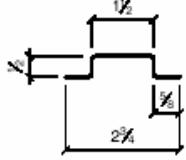
Roll-Formed Secondary Members

<p>3/4" HAT SECTION</p> 	<p>LENGTH GAUGE FINISH WT./EA.</p>
<p>1-1/4" HAT SECTION</p> 	<p>LENGTH GAUGE FINISH WT./EA.</p>
<p>HAT SECTION</p> 	<p>LENGTH GAUGE FINISH WT./EA.</p>
<p>CHANNEL SECTION</p> 	<p>LENGTH GAUGE FINISH WT./EA.</p>
<p>1" SUB-GIRT</p> 	<p>LENGTH GAUGE FINISH WT./EA.</p>
<p>1/2" SUB-GIRT</p> 	<p>LENGTH GAUGE FINISH WT./EA.</p>
	<p>12'-3" 22 Galvalume® 5.2#</p>
	<p>12'-3" 22 Galvalume® 7.4#</p>
	<p>20'-0" 24 Galvalume® 10.3# 20'-0" 22 Galvalume® 13.1#</p>
	<p>20'-0" 18 Galvanized 15.6# 20'-0" 22 Galvalume® 9.6#</p>
	<p>20'-0" 18 Galvanized 18.1# 20'-0" 16 Red-Oxide 22.0#</p>
	<p>20'-0" 18 Galvanized 11.5# 20'-0" 16 Red-Oxide 14.0#</p>

Metal Roofing and Siding Components

Structural Shapes






Roll-Formed Secondary Members

<p>3/4" HAT SECTION</p> 	<p>LENGTH GAUGE FINISH WT./EA.</p>
<p>1-1/4" HAT SECTION</p> 	<p>LENGTH GAUGE FINISH WT./EA.</p>
<p>HAT SECTION</p> 	<p>LENGTH GAUGE FINISH WT./EA.</p>
<p>CHANNEL SECTION</p> 	<p>LENGTH GAUGE FINISH WT./EA.</p>
<p>1" SUB-GIRT</p> 	<p>LENGTH GAUGE FINISH WT./EA.</p>
<p>1/2" SUB-GIRT</p> 	<p>LENGTH GAUGE FINISH WT./EA.</p>
	<p>12'-3" 22 Galvalume® 5.2#</p>
	<p>12'-3" 22 Galvalume® 7.4#</p>
	<p>20'-0" 24 Galvalume® 10.3#</p>
	<p>20'-0" 22 Galvalume® 13.1#</p>
	<p>20'-0" 18 Galvanized 15.6#</p>
	<p>20'-0" 22 Galvalume® 9.6#</p>
	<p>20'-0" 18 Galvanized 18.1#</p>
	<p>20'-0" 16 Red-Oxide 22.0#</p>
	<p>20'-0" 18 Galvanized 11.5#</p>
	<p>20'-0" 16 Red-Oxide 14.0#</p>

Metal Roofing and Siding Components

Structural Shapes

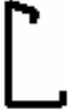

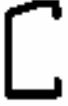
Cold-Formed Secondary Members

SIZE & DESCRIPTION		FINISH	GAUGE/MIN THICKNESS	WT./FT.
 Specify Roof Slope	12" x 5½" x 3⅝" Single or Double-Sloped Eave Strut	Red-Oxide	12 / .100"	8.19#
		Galvanized	12 / .102"	8.35#
 Specify Roof Slope	10" x 5½" x 2½" Single or Double-Sloped Eave Strut Specify Roof Slope	Red-Oxide	14 / .067"	4.77#
		Red-Oxide	12 / .100"	7.12#
		Galvanized	14 / .069"	4.91#
		Galvanized	12 / .102"	7.26#
 Specify Roof Slope	8" x 5½" x 2½" Single or Double-Sloped Eave Strut Specify Roof Slope	Red-Oxide	14 / .067"	4.29#
		Red-Oxide	12 / .100"	6.40#
		Galvanized	14 / .069"	4.42#
		Galvanized	12 / .102"	6.53#
 NOTE: MAXIMUM LENGTH 25'-0" Specify Roof Slope	6" x 4" x 2½" Single or Double-Sloped Eave Strut NOTE: MAXIMUM LENGTH 25'-0" Specify Roof Slope	Red-Oxide	16 / .056"	2.79#
		Red-Oxide	14 / .067"	3.33#
		Red-Oxide	12 / .100"	4.98#
		Galvanized	16 / .058"	2.89#
		Galvanized	14 / .069"	3.43#
		Galvanized	12 / .102"	5.08#
 Specify Roof Slope NOTE: MAXIMUM LENGTH 25'-0"	4" x 4" x 2½" Single or Double-Sloped Eave Strut NOTE: MAXIMUM LENGTH 25'-0"	Red-Oxide	16 / .056"	2.39#
		Red-Oxide	14 / .067"	2.86#
		Galvanized	16 / .058"	2.47#
		Galvanized	14 / .069"	2.94#

Metal Roofing and Siding Components





Structural Shapes

Cold-Formed Secondary Members

SIZE & DESCRIPTION		FINISH	GAUGE/MIN THICKNESS	WT./FT.
	8" x 5½" x 2½" High Eave Single Slope Eave Strut Specify Roof Slope	Red-Oxide	14 / .067"	4.29#
		Red-Oxide	12 / .100"	6.40#
		Galvanized	14 / .069"	4.42#
		Galvanized	12 / .102"	6.53#
	8" x 5½" x 2½" High Eave Double Slope Eave Strut Specify Roof Slope	Red-Oxide	14 / .067"	4.29#
		Red-Oxide	12 / .100"	6.40#
		Galvanized	14 / .069"	4.42#
		Galvanized	12 / .102"	6.53#
	8" x 5" x 5" Universal Eave Strut NOTE: For 1:12 - 4:12 Roof Slope	Red-Oxide	14 / .067"	4.77#
		Red-Oxide	12 / .100"	7.12#
		Galvanized	14 / .069"	4.91#
		Galvanized	12 / .102"	7.26#

Metal Roofing and Siding Components Structural Shapes







Cold-Formed Secondary Members

SIZE & DESCRIPTION	FINISH	GAUGE/MIN THICKNESS	WT./FT.
 8" x 4" Cee	Red-Oxide	14 / .067"	4.29#
	Red-Oxide	12 / .100"	6.40#
	Galvanized	14 / .069"	4.42#
	Galvanized	12 / .102"	6.53#
 8 $\frac{1}{8}$ " x 1 $\frac{1}{8}$ " Open Channel NOTE: MAXIMUM LENGTH 25'-0"	Red-Oxide	16 / .056"	2.39#
	Red-Oxide	14 / .067"	2.86#
	Galvanized	16 / .058"	2.47#
	Galvanized	14 / .069"	2.94#
 6 $\frac{1}{8}$ " x 1 $\frac{1}{8}$ " Open Channel NOTE: MAXIMUM LENGTH 20'-0"	Red-Oxide	16 / .056"	1.99#
	Red-Oxide	14 / .067"	2.38#
	Galvanized	16 / .058"	2.06#
	Galvanized	14 / .069"	2.45#
 4 $\frac{1}{8}$ " x 2 $\frac{1}{8}$ " Open Channel NOTE: MAXIMUM LENGTH 20'-0"	Red-Oxide	16 / .056"	1.79#
	Red-Oxide	14 / .067"	2.14#
	Galvanized	16 / .058"	1.85#
	Galvanized	14 / .069"	2.20#

Metal Roofing and Siding Components

Structural Shapes

Cold-Formed Secondary Members

SIZE & DESCRIPTION		FINISH	GAUGE/MIN THICKNESS	WT./FT.
	7" x 3" Angle or 6" x 4" Angle	Red-Oxide	16 / .056"	1.99#
		Red-Oxide	14 / .067"	2.38#
		Galvanized	16 / .058"	2.06#
		Galvanized	14 / .069"	2.45#
	4" x 3" Angle	Red-Oxide	16 / .056"	1.39#
		Red-Oxide	14 / .067"	1.66#
		Galvanized	16 / .058"	1.44#
		Galvanized	14 / .069"	1.71#
	4" x 2" Angle	Red-Oxide	16 / .056"	1.19#
		Red-Oxide	14 / .067"	1.42#
		Galvanized	16 / .058"	1.23#
		Galvanized	14 / .069"	1.46#
	3" x 3" Angle	Red-Oxide	16 / .056"	1.19#
		Red-Oxide	14 / .067"	1.42#
		Galvanized	16 / .058"	1.23#
		Galvanized	14 / .069"	1.46#
	2½" x 2" Angle	Red-Oxide	16 / .056"	0.92#
		Red-Oxide	14 / .067"	1.11#
		Galvanized	16 / .058"	0.96#
		Galvanized	14 / .069"	1.14#
	2" x 1½" Angle	Red-Oxide	14 / .067"	0.82#
		Galvanized	14 / .069"	0.85#

Metal Roofing and Siding Components

Structural Shapes

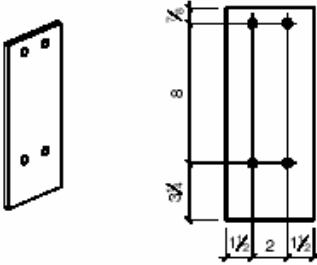
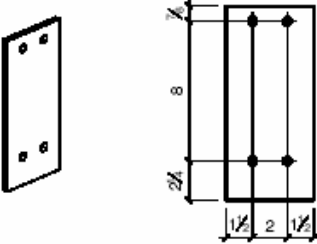
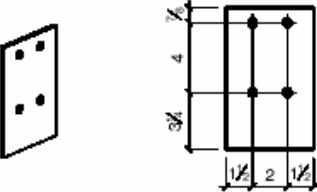
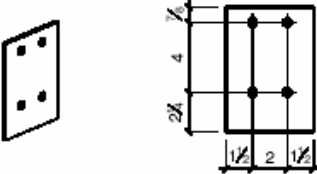
Connection Clips

SHOP WELDED CLIP		PART NO. MAT'L THICKNESS WT./EA.	
<p>Holes $\frac{3}{8}$" ϕ</p>		AC301	$\frac{1}{4}$ " 3.5#
<p>Use to attach 10" by-pass zees or cees. Requires (4) $\frac{1}{2}$" x $1\frac{1}{2}$" A307 bolts.</p>			
<p>Holes $\frac{3}{8}$" ϕ</p>		AB301	$\frac{3}{16}$ " 2.3#
<p>Use to attach 8" by-pass zees or cees. Requires (4) $\frac{1}{2}$" x $1\frac{1}{2}$" A307 bolts.</p>			
<p>Holes $\frac{3}{8}$" ϕ</p>		AA301	$\frac{1}{4}$ " 2.6#
<p>Use to attach 6" by-pass zees or cees. Requires (4) $\frac{1}{2}$" x $1\frac{1}{2}$" A307 bolts.</p>			
<p>Holes $\frac{3}{8}$" ϕ</p>		AF301	$\frac{1}{4}$ " 1.8#
<p>Use to attach 4" by-pass zees or cees. Requires (4) $\frac{1}{2}$" x $1\frac{1}{2}$" A307 bolts.</p>			

Metal Roofing and Siding Components

Structural Shapes

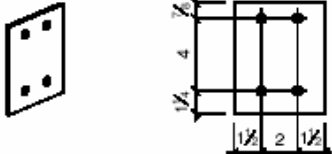
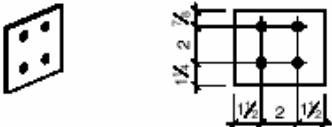
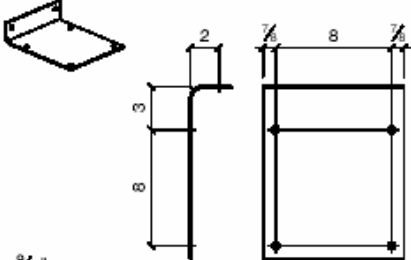
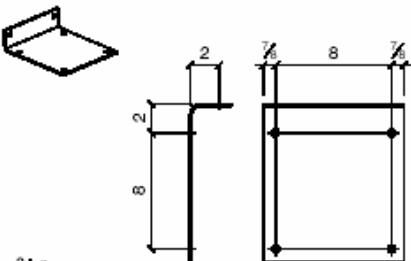
Connection Clips

SHOP WELDED CLIP		PART NO. MAT'L THICKNESS WT./EA.
 <p>Holes $\frac{3}{16}$"ϕ</p>	<p>AE300 $\frac{3}{16}$" 6.5#</p> <p>Use to attach 14" by-pass zeos. Requires (4) $\frac{3}{16}$"ϕ x $1\frac{1}{2}$" A307 bolts.</p>	
 <p>Holes $\frac{3}{16}$"ϕ</p>	<p>AD300 $\frac{3}{16}$" 5.9#</p> <p>Use to attach 12" by-pass zeos. Requires (4) $\frac{3}{16}$"ϕ x $1\frac{1}{2}$" A307 bolts.</p>	
 <p>Holes $\frac{3}{16}$"ϕ</p>	<p>AC300 $\frac{1}{4}$" 2.9#</p> <p>Use to attach 10" by-pass zeos. Requires (4) $\frac{3}{16}$"ϕ x $1\frac{1}{2}$" A307 bolts.</p>	
 <p>Holes $\frac{3}{16}$"ϕ</p>	<p>AB300 $\frac{1}{4}$" 2.5#</p> <p>Use to attach 8" by-pass zeos. Requires (4) $\frac{3}{16}$"ϕ x $1\frac{1}{2}$" A307 bolts.</p>	

Metal Roofing and Siding Components

Structural Shapes

Connection Clips

<p style="text-align: center;">SHOP WELDED CLIP</p>  <p>Holes $\frac{3}{8}$"\varnothing</p>	<p style="text-align: center;">PART NO. MAT'L THICKNESS WT./EA.</p> <table border="1" style="width: 100%; border-collapse: collapse;"> <tr> <td style="width: 33%;">AA300</td> <td style="width: 33%; text-align: center;">$\frac{1}{4}$"</td> <td style="width: 33%; text-align: right;">2.2#</td> </tr> </table> <p>Use to attach 6" by-pass zees. Requires (4) $\frac{1}{2}$" x $1\frac{1}{2}$" A307 bolts.</p>	AA300	$\frac{1}{4}$ "	2.2#
AA300	$\frac{1}{4}$ "	2.2#		
<p style="text-align: center;">SHOP WELDED CLIP</p>  <p>Holes $\frac{3}{8}$"\varnothing</p>	<p style="text-align: center;">PART NO. MAT'L THICKNESS WT./EA.</p> <table border="1" style="width: 100%; border-collapse: collapse;"> <tr> <td style="width: 33%;">AF300</td> <td style="width: 33%; text-align: center;">$\frac{1}{4}$"</td> <td style="width: 33%; text-align: right;">1.5#</td> </tr> </table> <p>Use to attach 4" by-pass zees. Requires (4) $\frac{1}{2}$" x $1\frac{1}{2}$" A307 bolts.</p>	AF300	$\frac{1}{4}$ "	1.5#
AF300	$\frac{1}{4}$ "	1.5#		
<p style="text-align: center;">BOLT-ON GIRT CLIP</p>  <p>Holes $\frac{3}{8}$"\varnothing</p>	<p style="text-align: center;">PART NO. MAT'L THICKNESS WT./EA.</p> <table border="1" style="width: 100%; border-collapse: collapse;"> <tr> <td style="width: 33%;">AE201</td> <td style="width: 33%; text-align: center;">$\frac{3}{16}$"</td> <td style="width: 33%; text-align: right;">7.5#</td> </tr> </table> <p>Use to attach 14" girt. Requires (6) $\frac{1}{2}$" x $1\frac{1}{2}$" A307 bolts.</p>	AE201	$\frac{3}{16}$ "	7.5#
AE201	$\frac{3}{16}$ "	7.5#		
<p style="text-align: center;">BOLT-ON GIRT CLIP</p>  <p>Holes $\frac{3}{8}$"\varnothing</p>	<p style="text-align: center;">PART NO. MAT'L THICKNESS WT./EA.</p> <table border="1" style="width: 100%; border-collapse: collapse;"> <tr> <td style="width: 33%;">AD201</td> <td style="width: 33%; text-align: center;">$\frac{3}{16}$"</td> <td style="width: 33%; text-align: right;">6.8#</td> </tr> </table> <p>Use to attach 12" girt. Requires (6) $\frac{1}{2}$" x $1\frac{1}{2}$" A307 bolts.</p>	AD201	$\frac{3}{16}$ "	6.8#
AD201	$\frac{3}{16}$ "	6.8#		

Metal Roofing and Siding Components

Structural Shapes

Connection Clips

<p style="text-align: center;">BOLT-ON GIRT CLIP</p> <p>Holes $\frac{3}{16}$"ϕ</p>	<p>PART NO. MAT'L THICKNESS WT./EA.</p>
<p style="text-align: center;">BOLT-ON GIRT CLIP</p> <p>Holes $\frac{3}{16}$"ϕ</p>	<p>PART NO. MAT'L THICKNESS WT./EA.</p>
<p style="text-align: center;">BOLT-ON EAVE STRUT CLIP</p> <p>Holes $\frac{3}{16}$"ϕ</p>	<p>PART NO. MAT'L THICKNESS WT./EA.</p>
<p style="text-align: center;">BOLT-ON COLUMN BASE CLIP</p> <p>Holes $1\frac{1}{8}$"ϕ Slots $1\frac{1}{8}$" x 1"</p>	<p>PART NO. MAT'L THICKNESS WT./EA.</p>

AK208 8 Gauge 5.4#

Use to attach 12" or 14" girt to column.
Requires (7) $\frac{3}{16}$ " x $1\frac{1}{8}$ " A307 bolts.

AK200 $\frac{3}{16}$ " 3.1#

Use to attach 8" or 10" girt to column
and to attach 8" jamb to standard eave strut.
Requires (4) $\frac{3}{16}$ " x $1\frac{1}{8}$ " A307 bolts.

AC207 $\frac{3}{16}$ " 2.2#

Use to attach 10" jamb to standard eave strut.
Requires (4) $\frac{3}{16}$ " x $1\frac{1}{8}$ " A307 bolts.

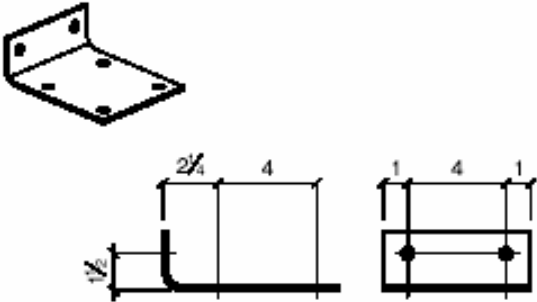
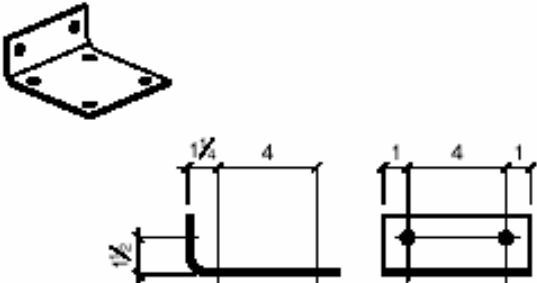
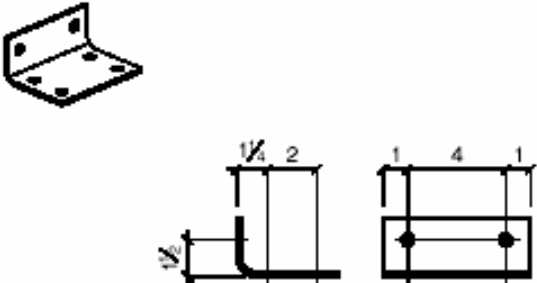
AK400 $\frac{1}{2}$ " 2.4#

Requires (2) $\frac{3}{8}$ " x $1\frac{1}{2}$ " A325 bolts.

Metal Roofing and Siding Components

Structural Shapes

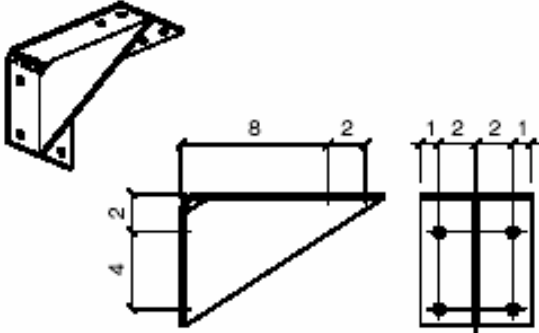
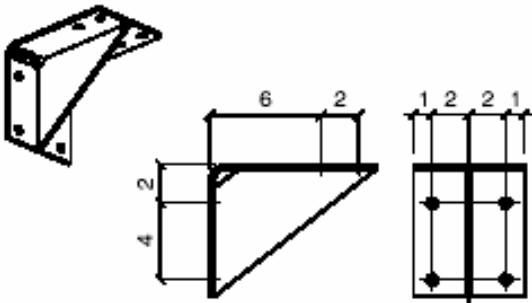
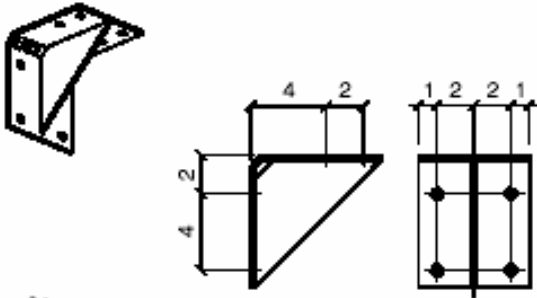
Connection Clips

BOLT-ON GIRT/PURLIN CLIP		PART NO. MAT'L THICKNESS WT./EA.	
 <p>Holes $\frac{9}{16}'' \circ$</p>	C235	$\frac{1}{4}''$	3.9#
	Use to attach 8" simple span cees to frame. Requires (6) $\frac{1}{2}'' \circ$ x $1\frac{1}{4}''$ A307 bolts.		
 <p>Holes $\frac{9}{16}'' \circ$</p>	C234	$\frac{1}{4}''$	3.4#
	Use to attach 6" simple span cees to frame. Requires (6) $\frac{1}{2}'' \circ$ x $1\frac{1}{4}''$ A307 bolts.		
 <p>Holes $\frac{9}{16}'' \circ$</p>	C233	$\frac{1}{4}''$	2.6#
	Use to attach 4" simple span cees to frame. Requires (6) $\frac{1}{2}'' \circ$ x $1\frac{1}{4}''$ A307 bolts.		

Metal Roofing and Siding Components

Structural Shapes

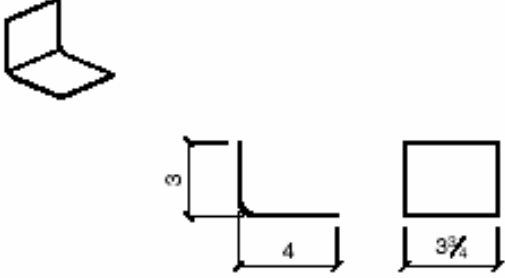

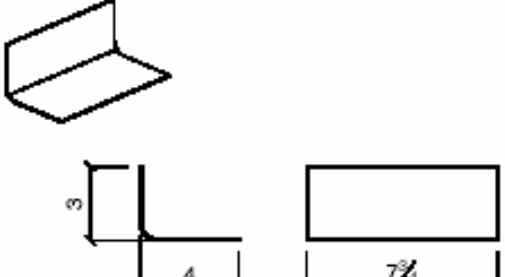
Connection Clips

BOLTED EAVE STRUT CLIP		PART NO.	MAT'L THICKNESS	WT./EA.
 <p>Holes $\frac{9}{16}$"\varnothing</p>		AD100	$\frac{1}{4}$ "	10.0#
		Use to attach eave strut at 12" girt line. Requires (8) $\frac{1}{2}$ " \varnothing x 1 $\frac{1}{4}$ " A307 bolts.		
 <p>Holes $\frac{9}{16}$"\varnothing</p>		AC100	$\frac{1}{4}$ "	8.5#
		Use to attach eave strut at 10" girt line. Requires (8) $\frac{1}{2}$ " \varnothing x 1 $\frac{1}{4}$ " A307 bolts.		
 <p>Holes $\frac{9}{16}$"\varnothing</p>		AB100	$\frac{1}{4}$ "	7.6#
		Use to attach eave strut at 8" girt line. Requires (8) $\frac{1}{2}$ " \varnothing x 1 $\frac{1}{4}$ " A307 bolts.		

Metal Roofing and Siding Components

Structural Shapes

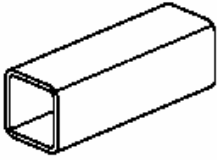



Connection Clips

<p>LIGHT GAUGE ANGLE CLIP</p>  <p>No Holes</p>	<p>PART NO. MAT'L THICKNESS WT./EA.</p> <p>AK517 14 Gauge 0.6#</p> <p>Use for 4" zee or cee attachment. Requires #14 x 1-1/4" Tek/2 S.D. fasteners.</p>
<p>LIGHT GAUGE ANGLE CLIP</p>  <p>No Holes</p>	<p>PART NO. MAT'L THICKNESS WT./EA.</p> <p>AK518 14 Gauge 0.8#</p> <p>Use for 6" zee or cee attachment. Requires #14 x 1-1/4" Tek/2 S.D. fasteners.</p>
<p>LIGHT GAUGE ANGLE CLIP</p>  <p>No Holes</p>	<p>PART NO. MAT'L THICKNESS WT./EA.</p> <p>AK519 14 Gauge 1.1#</p> <p>Use for 8" zee or cee attachment. Requires #14 x 1-1/4" Tek/2 S.D. fasteners.</p>

Metal Roofing and Siding Components

Structural Shapes

Structural Members

A500-B SQUARE TUBING	SIZE	THICKNESS	AVAILABLE LENGTHS	WT./FT.
	3" X 3"	0.120"	10', 13'-4 & 20'	3.3#
	4" x 4"	0.120"	10', 13'-4 & 20'	6.3#
*Galvanized members are subject to a \$75 freight charge per order.				
A53-B ROUND TUBING	O.D.	THICKNESS	AVAILABLE LENGTHS	WT./FT.
	4½"	0.156"	11'-3, 15' & 22'-6	7.2#
	6½"	0.156"	11'-3, 15' & 22'-6	10.8#
	6¾"	0.188"	11'-3, 15' & 22'-6	12.9#
*Galvanized members are subject to a \$75 freight charge per order.				
4-HOLE END PLATES Shop welded onto above tubing	SIZE	THICKNESS	HOLE PATTERN	WT./EA.
 <p data-bbox="265 1319 461 1354">Each plate has (4) 1/8" holes in the pattern as indicated.</p>	7" x 7" (For 3" square tubing)	½"	5" x 5"	3.5#
	8" x 8" (For 4" square tubing or 4½" round tubing)	¾"	6" x 6"	6.8#
	10" x 10" (For 6¾" round tubing)	¾"	7" x 7"	21.3#
*Galvanized plates will have an extra hole centered in the middle for drainage and venting during galvanizing.				
CUT-TO-LENGTH BRACE RODS	DIAMETER	AVAILABLE LENGTHS	WT./FT.	
 <p data-bbox="265 1663 444 1698">Each end will be threaded with 5' R.H. Coarse Thread.</p>	½"	20'-0" or 40'-0"	0.7#	
	5/8"	20'-0" or 40'-0"	1.0#	
	¾"	20'-0" or 40'-0"	1.5#	
	1"	20'-0" or 40'-0"	2.7#	
<p>All brace rods will priced to a 10' minimum. For brace rod hardware, see ACCESSORIES section. *Galvanized members are subject to a \$75 freight charge per order.</p>				